



TRINITY GLASS
INTERNATIONAL

33615 1st Way S, Federal Way, WA 98003

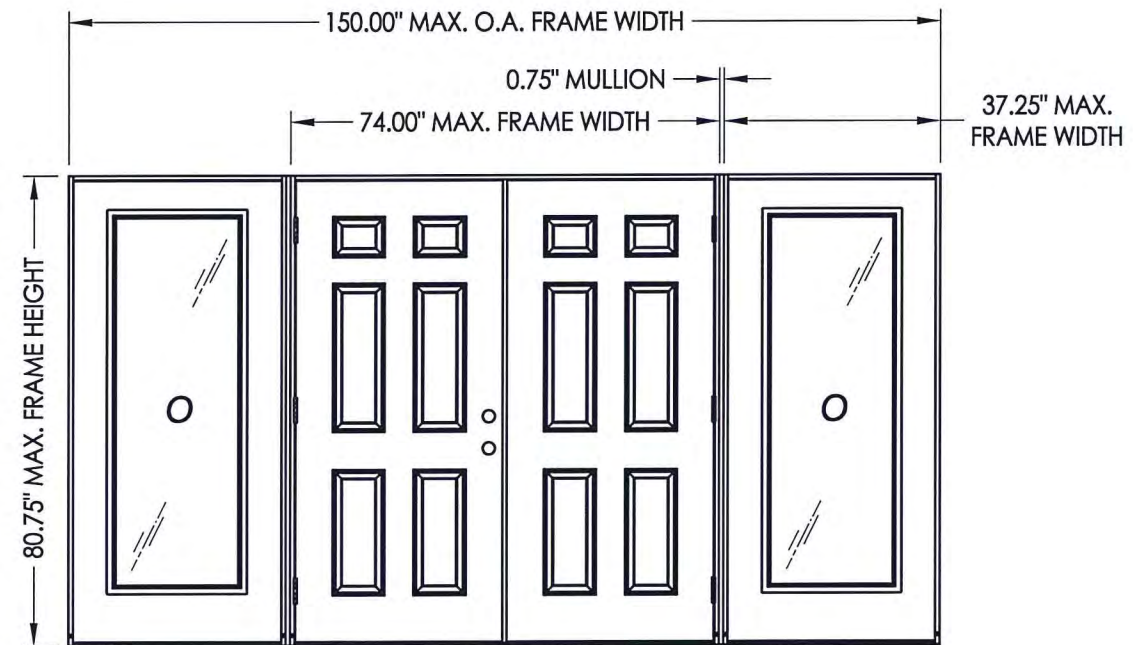
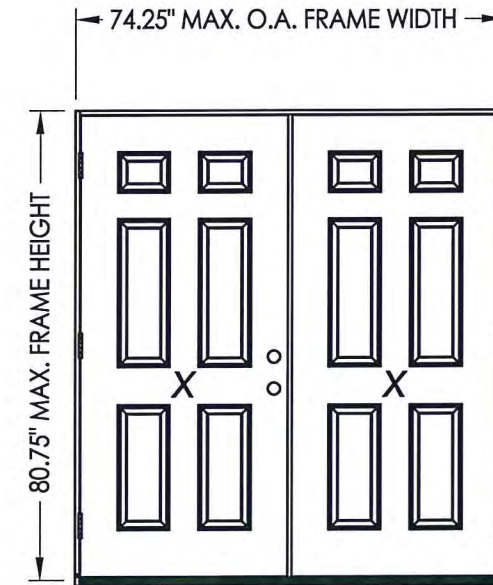
OPAQUE FIBERGLASS "IMPACT" DOUBLE DOOR with or without SIDELITES OUTSWING

GENERAL NOTES

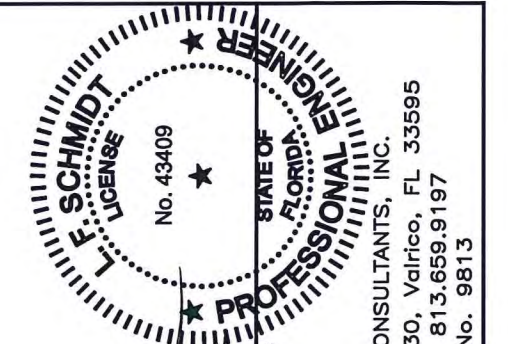
1. This product has been evaluated and is in compliance with the 5th Edition (2014) Florida Building Code (FBC) structural requirements including the "High Velocity Hurricane Zone" (HVHZ).
2. Product anchors shall be as listed and spaced as shown on details. Anchor embedment to base material shall be beyond wall dressing or stucco.
3. When used in the "HVHZ" this product complies with Section 1626 of the Florida Building Code and does not require an impact resistant covering.
4. When used in areas outside of the "HVHZ" requiring wind borne debris protection this product complies with Section 1609.1.2 of the FBC and does not require an impact resistant covering. This product meets missile level "D" and includes Wind Zone 4 as defined in ASTM E1996 and Section 1609.1.2.2 of the FBC.
5. For 2x stud framing construction, anchoring of these units shall be the same as that shown for 2x buck masonry construction.
6. Site conditions that deviate from the details of this drawing require further engineering analysis by a licensed engineer or registered architect.
7. This product meets water infiltration requirements for "HVHZ".

TABLE OF CONTENTS

SHEET#	DESCRIPTION
1	Typical elevations, design pressures & general notes
2	Door panel details
3	Sidelite panel details and glazing details
4	Elevations
5	Horizontal cross sections
6	Vertical cross sections
7	Vertical cross sections
8	Horizontal and vertical cross sections
9	Horizontal and vertical cross sections
10	Buck anchoring
11	Buck anchoring
12	Frame anchoring 2X buck masonry construction
13	Frame anchoring 2X buck masonry construction
14	Frame anchoring 1X buck masonry construction
15	Frame anchoring 1X buck masonry construction
16	Components
17	Astragal details
18	Bill of materials



CONFIGURATION	MAX. FRAME DIMENSION	DESIGN PRESSURE (PSF) ALUMINUM ASTRAGAL		DESIGN PRESSURE (PSF) PVC ASTRAGAL	
		POSITIVE	NEGATIVE	POSITIVE	NEGATIVE
XX	74.25" x 80.75"	+ 55.0	- 55.0	+ 47.0	- 47.0
OXXO	150.0" x 80.75"	+ 55.0	- 55.0	+ 47.0	- 47.0



Documents Prepared By:
Lyndon F. Schmidt
P.E., No. 43409

RW
BUILDING CONSULTANTS, INC.
P.O. Box 230, Valrico, FL 33595
Phone No.: 813.659.9197
FBPE C.A. No. 9813

PRODUCT: TRINITY GLASS INT'L

PART OR ASSEMBLY: TYPICAL ELEVATION, DESIGN PRESSURES & GENERAL NOTES

NO.	DATE	BY	REVISIONS
1	03/02/15	JK	UPDATE TO 5TH ED. (2014) FBC

DATE: 1/18/12

SCALE: N.T.S.

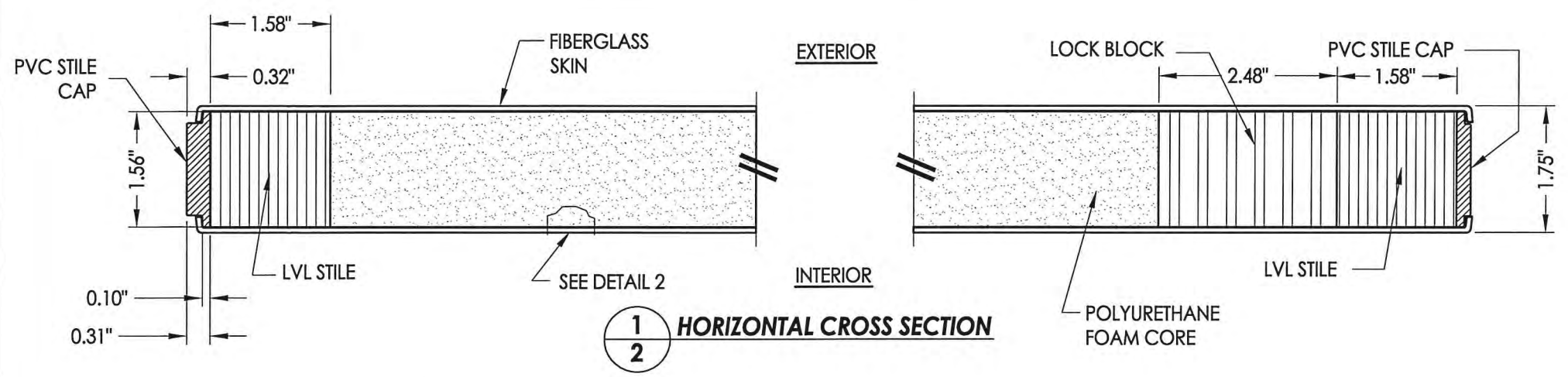
DWG. BY: JK

CHK. BY: LFS

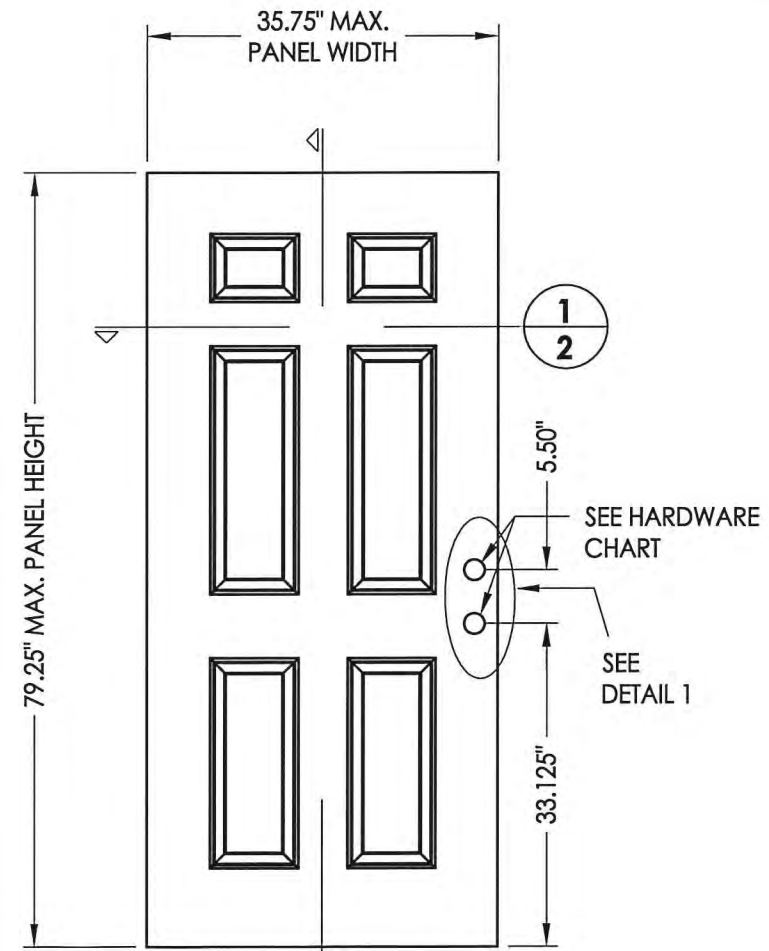
DRAWING NO.: FL-15255.4

SHEET 1 OF 18

R:\Clients\Trinity PERMANENT\Florida Product Approvals\FL-15255\C - Drawings\FL-15255\FL-15255.1-4.dwg, 2.4

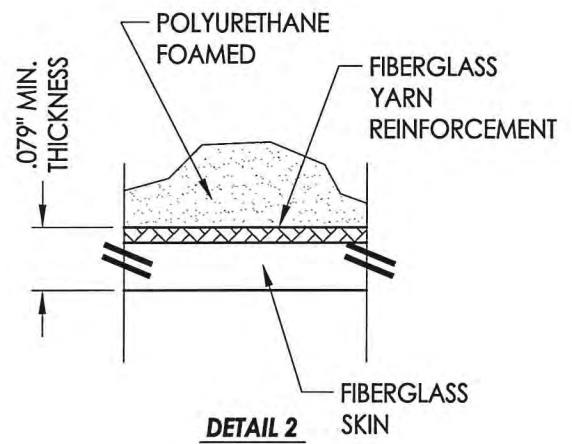


1
2 HORIZONTAL CROSS SECTION

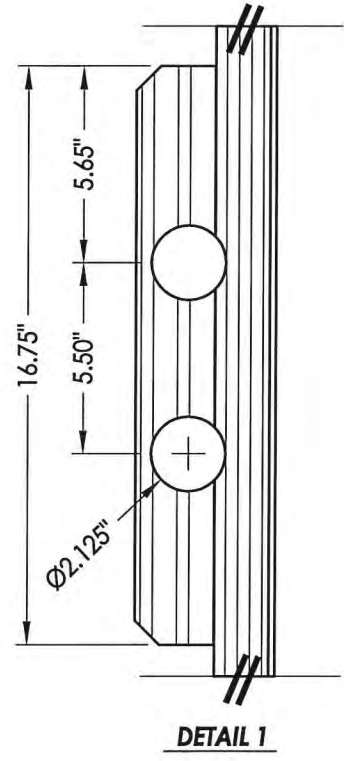


40 OPAQUE DOOR

DOOR SKIN: 0.079\"/>

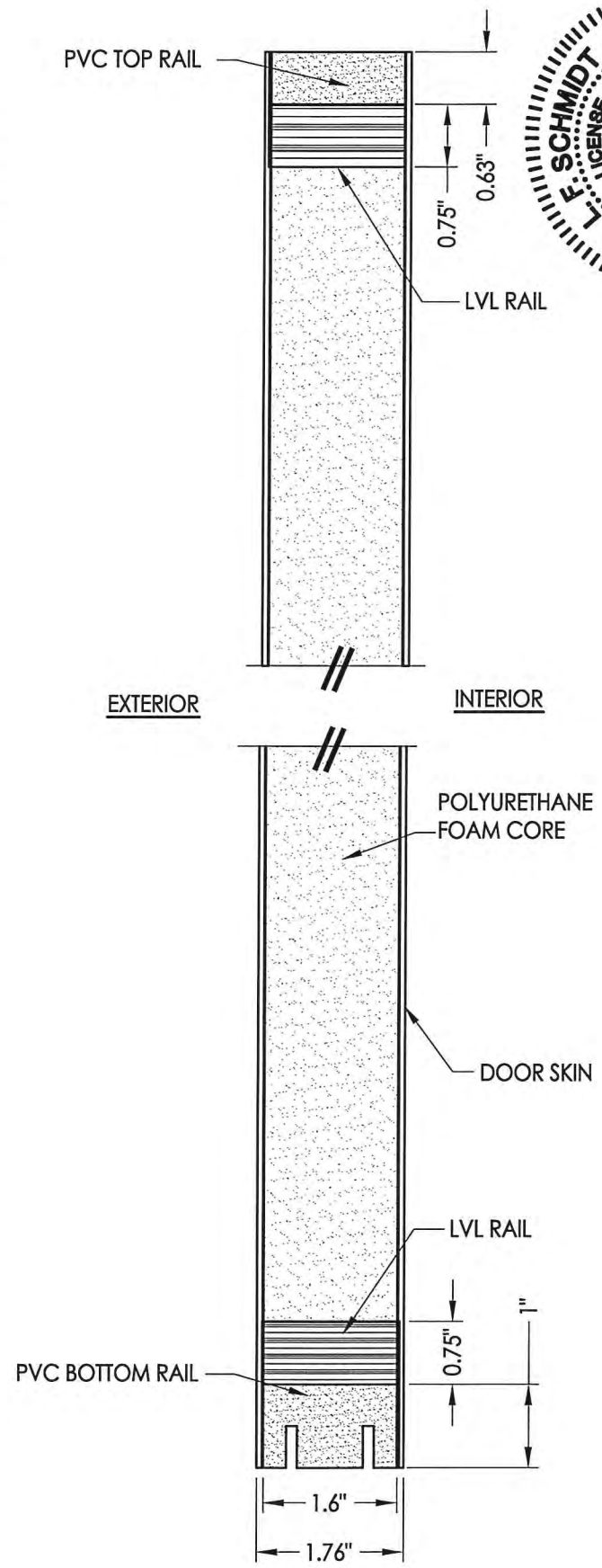


DETAIL 2

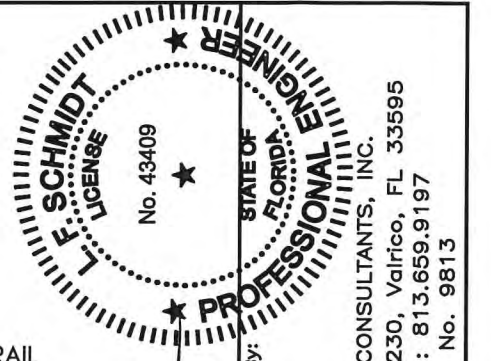


DETAIL 1

HARDWARE CHART	
MANUFACTURER	MODEL
KWIKSET	KNOB: SIGNATURE SERIES DEADBOLT: SIGNATURE SERIES (980)



2
2 VERTICAL CROSS SECTION

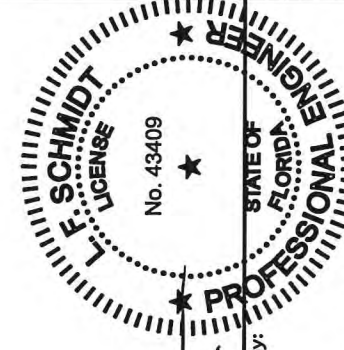
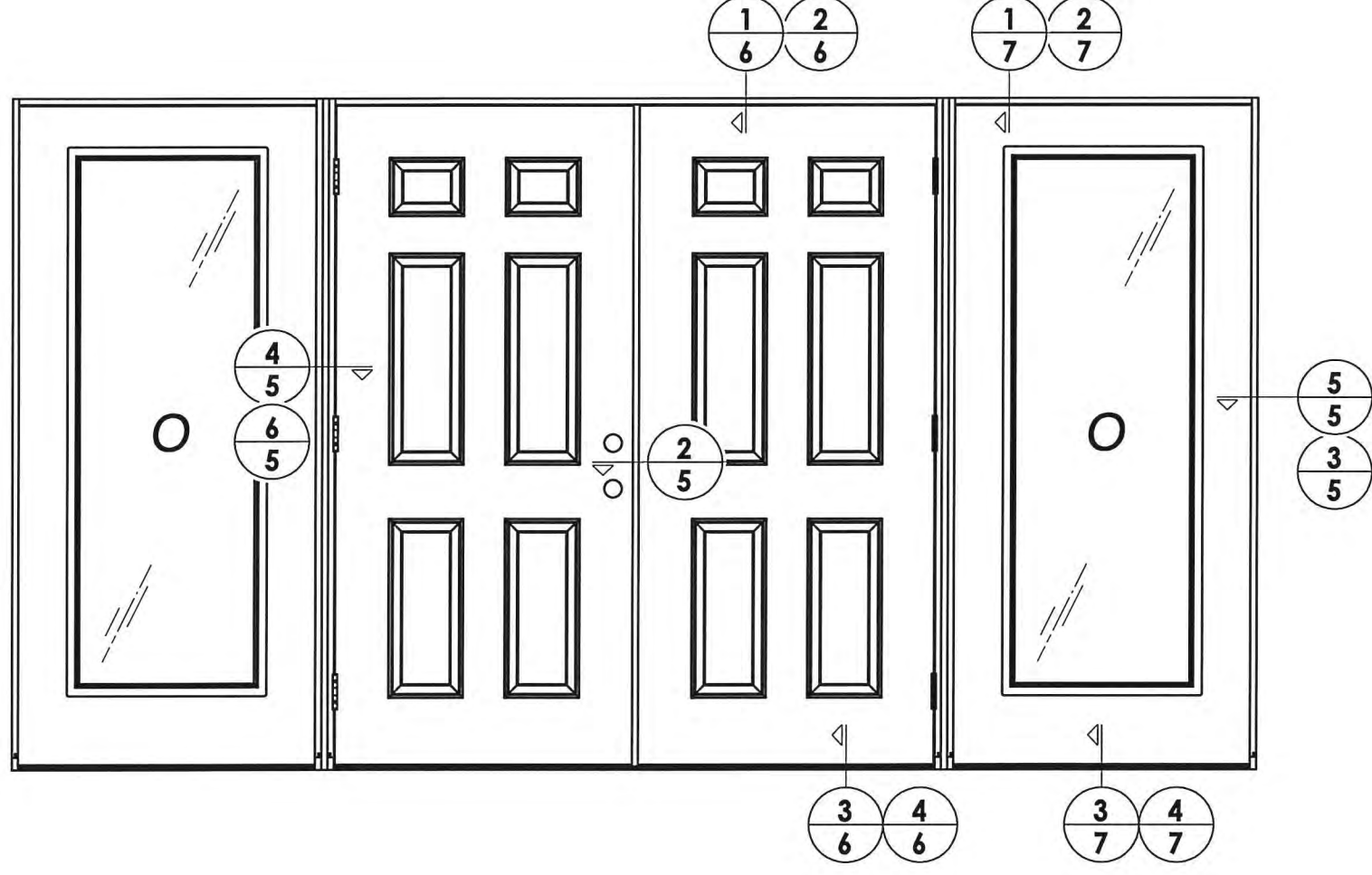
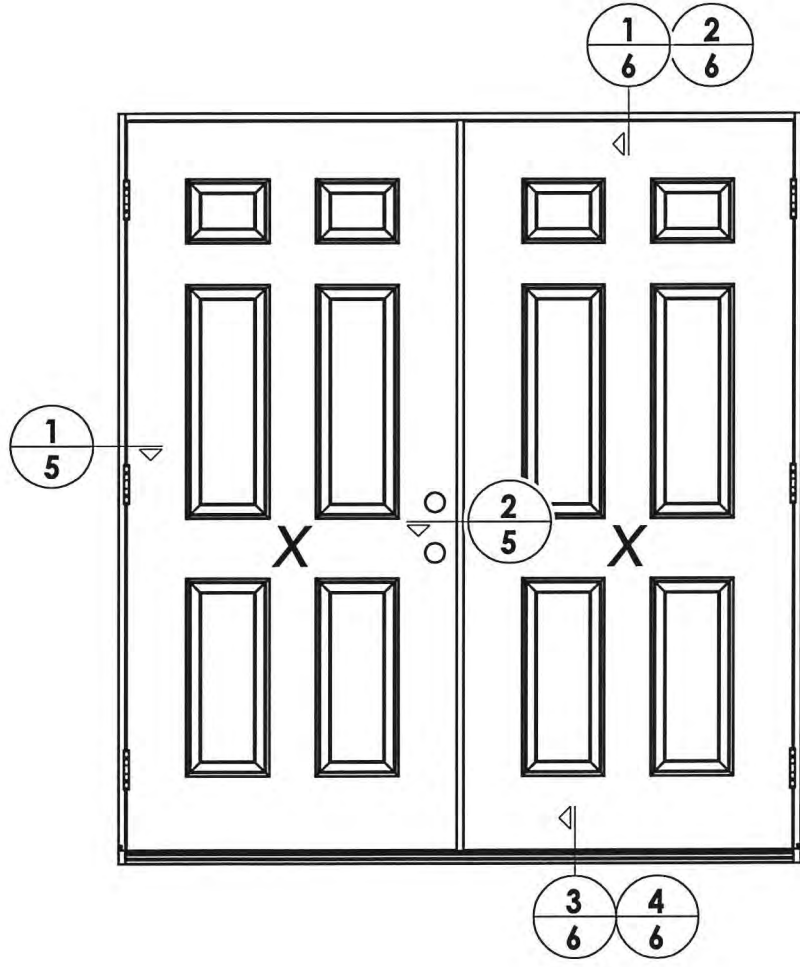


Documents Prepared By:
Lyndon F. Schmidt
P.E. No. 43409

RW BUILDING CONSULTANTS, INC.
P.O. Box 230, Valrico, FL 33595
Phone No.: 813.659.9197
FBPE C.A. No. 9813

PRODUCT:	TRINITY GLASS INT'L	
PART OR ASSEMBLY:	DOOR PANEL DETAILS	
NO.	DATE	BY
1	03/02/15	JK
UPDATE TO 5TH ED. (2014) FBC		

DATE:	02/27/12
SCALE:	N.T.S.
DWG. BY:	JK
CHK. BY:	LFS
DRAWING NO.:	FL-15255.4
SHEET	2 of 18



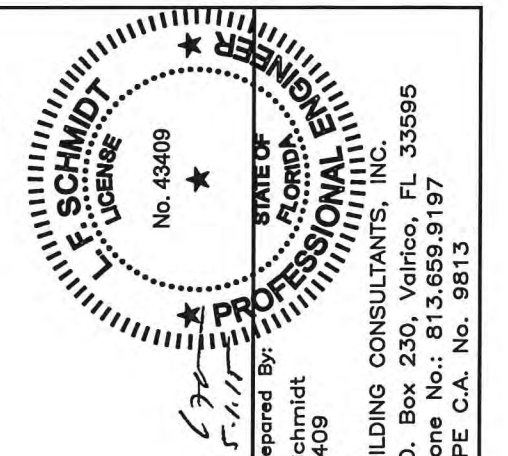
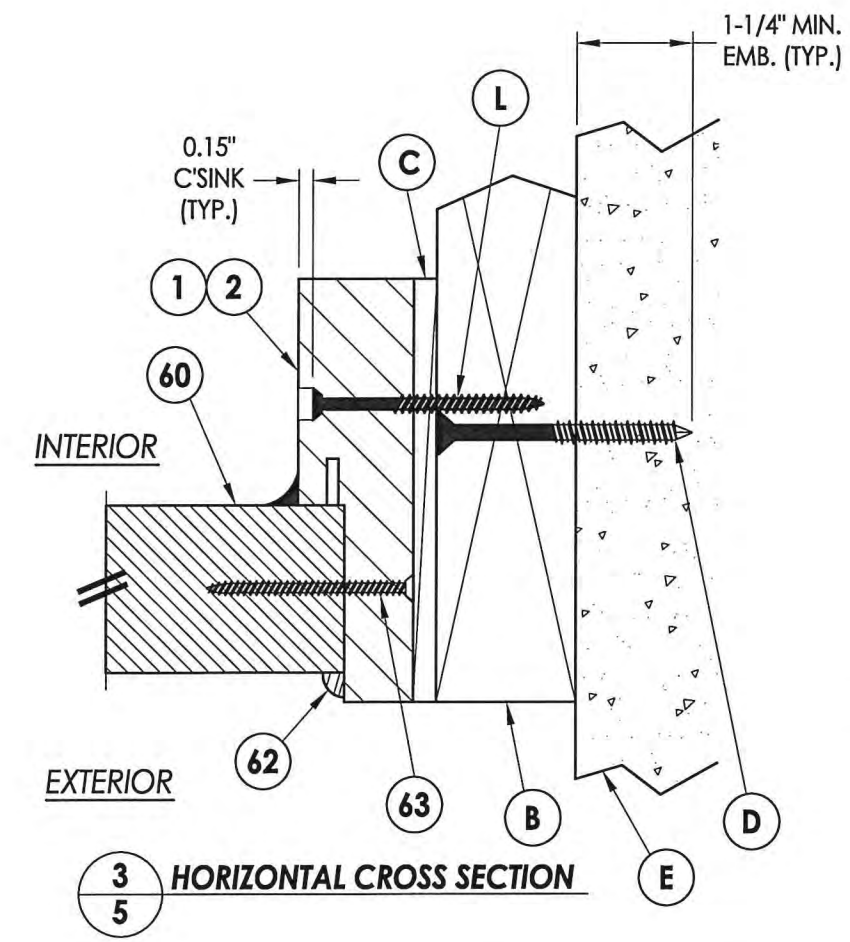
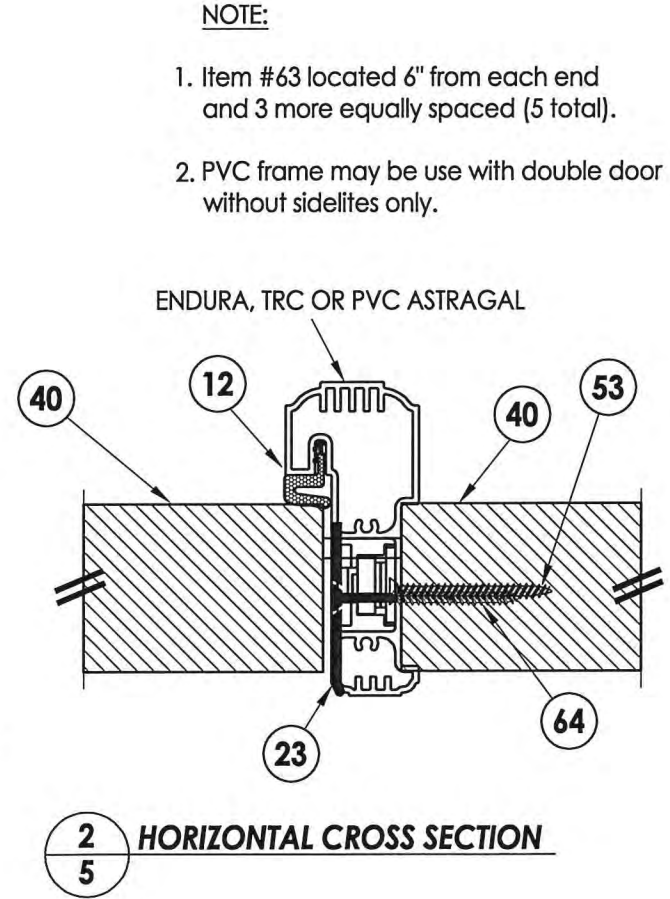
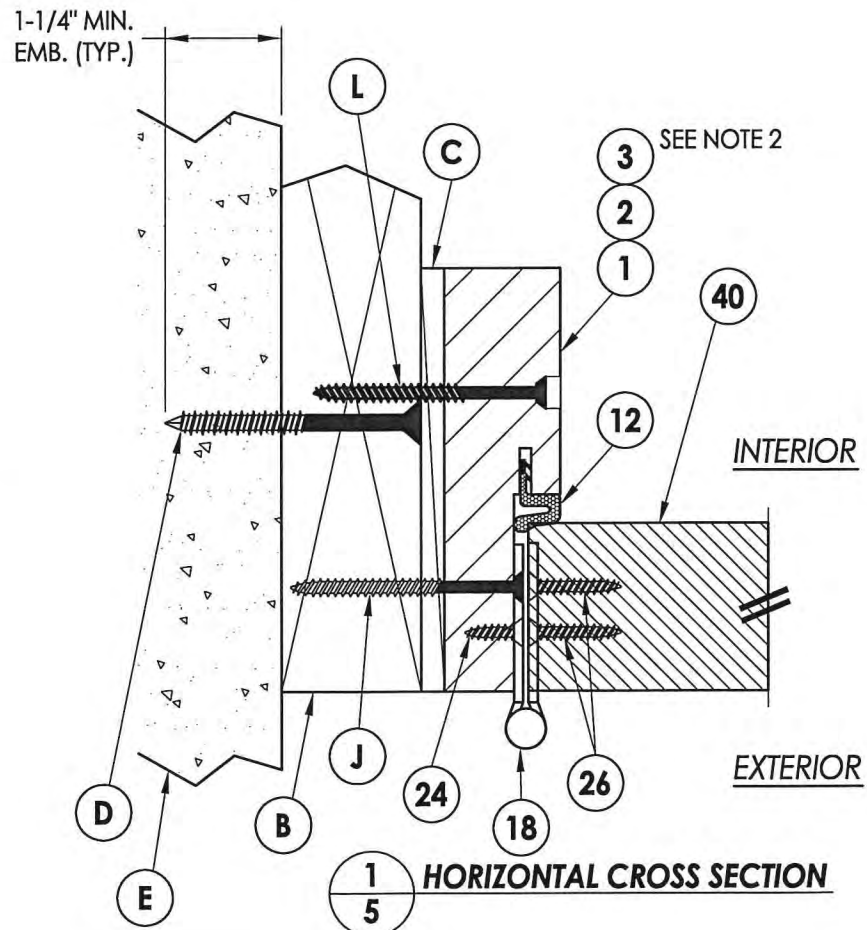
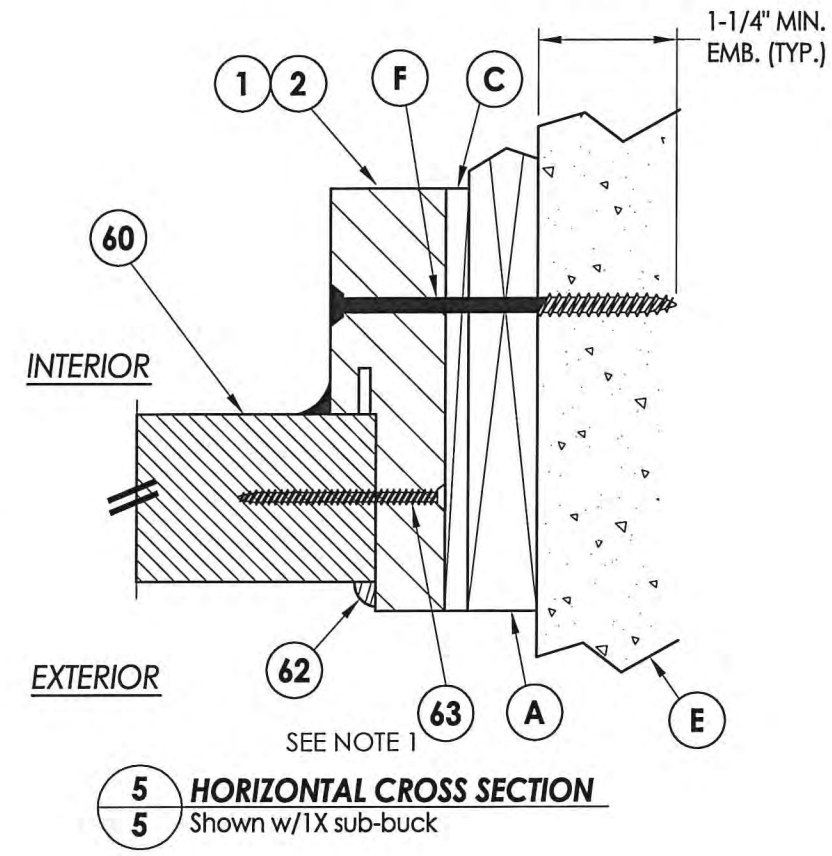
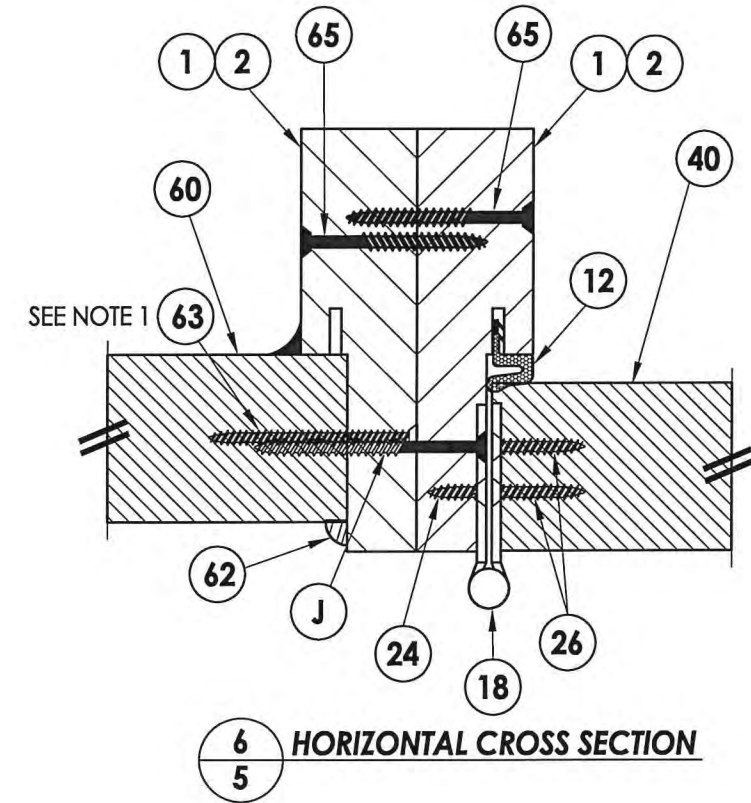
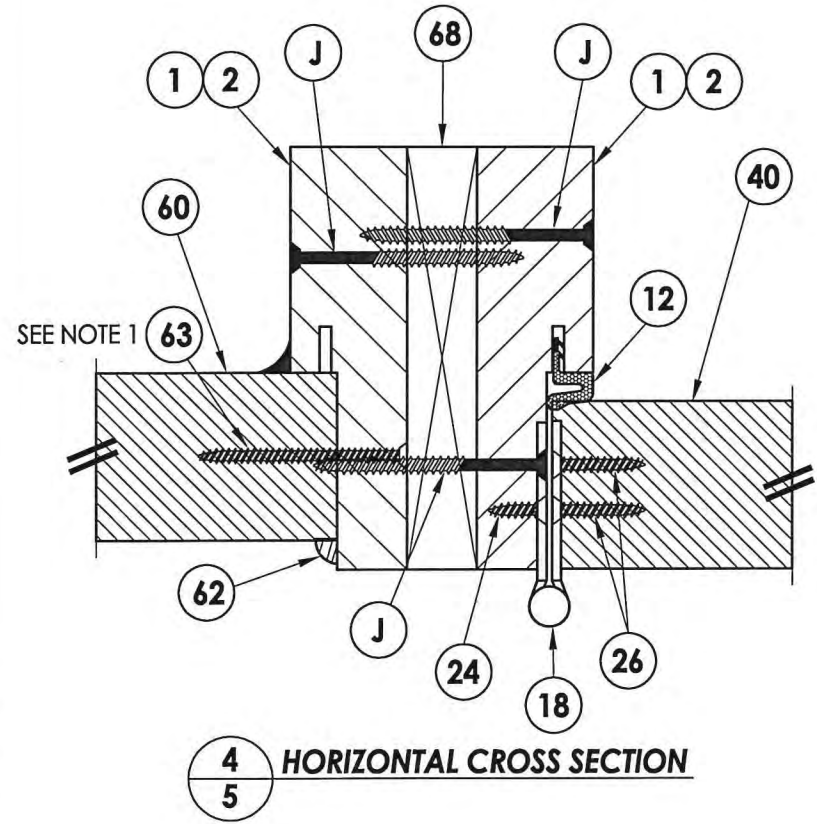
677
5.1.15
Documents Prepared By:
Lyndon F. Schmidt
P.E. No. 43409
RW BUILDING CONSULTANTS, INC.
P.O. Box 230, Valrico, FL 33595
Phone No.: 813.659.9197
FBPE C.A. No. 9813

PRODUCT: TRINITY GLASS INT'L
PART OR ASSEMBLY: ELEVATIONS

NO.	DATE	REVISIONS	BY
1	03/02/15	UPDATE TO 5TH ED. (2014) FBC	JK

DATE: 1/18/12
SCALE: N.T.S.
DWG. BY: JK
CHK. BY: LFS
DRAWING NO.: FL-15255.4
SHEET 4 OF 18

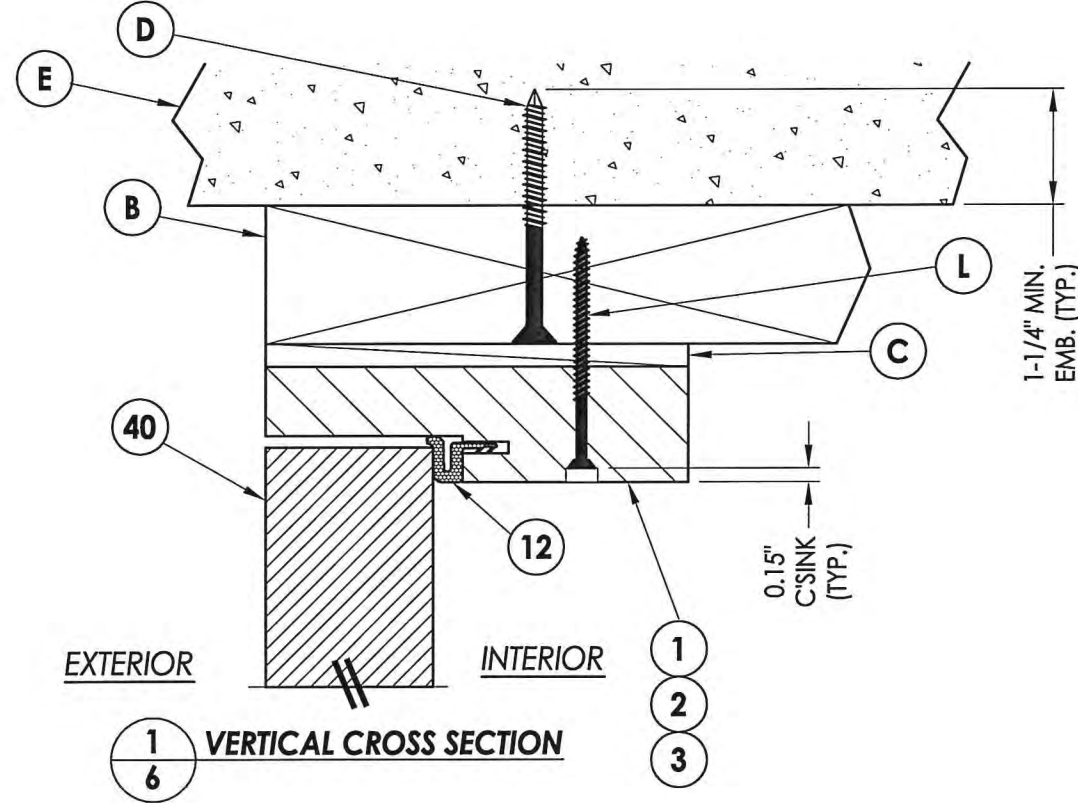
R:\Clients\Trinity PERMANENT\Florida Product Approvals\FL-15255\C - Drawings\FL-15255\FL-15255.1-4.dwg, 5.4



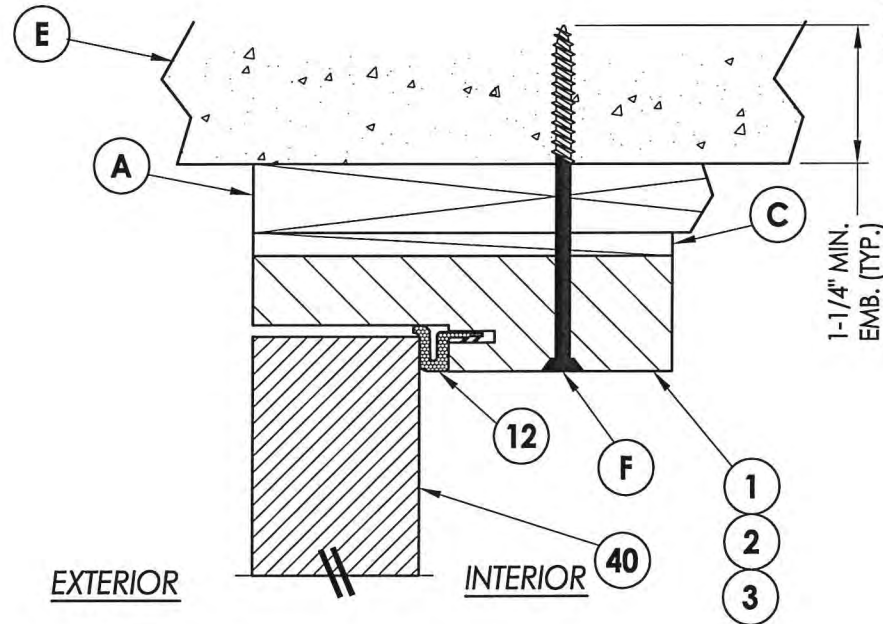
Documents Prepared By:
Lyndon F. Schmidt
P.E. No. 43409

RW BUILDING CONSULTANTS, INC.
P.O. Box 230, Vairico, FL 33595
Phone No.: 813.659.9197
FBPE C.A. No. 9813

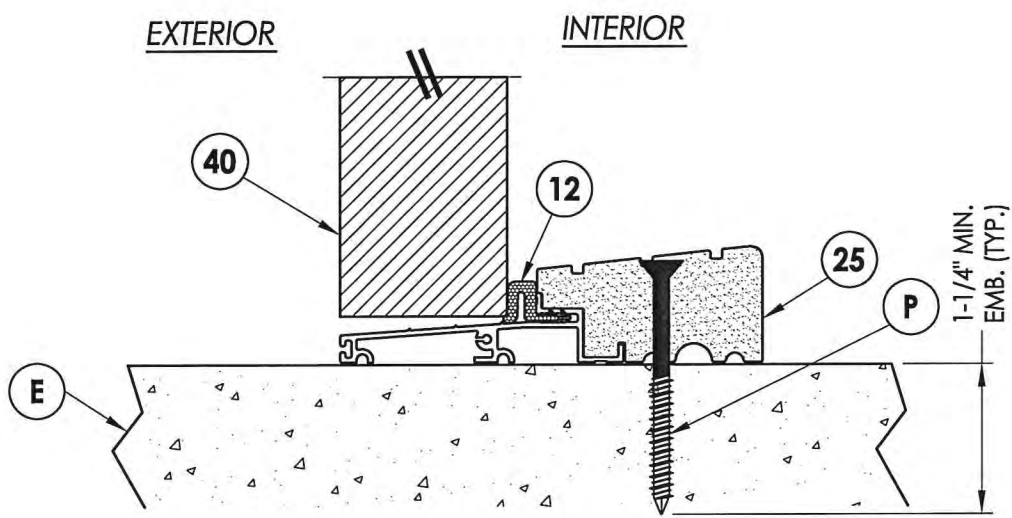
PRODUCT:	TRINITY GLASS INT'L		
PART OR ASSEMBLY:	HORIZONTAL CROSS SECTIONS		
DATE:	02/27/12		
SCALE:	N.T.S.		
DWG. BY:	JK		
CHK. BY:	LFS		
DRAWING NO.:	FL-15255.4		
SHEET	5 of 18		
NO.	DATE	BY	REVISIONS
1	03/02/15	JK	UPDATE TO 5TH ED. (2014) FBC



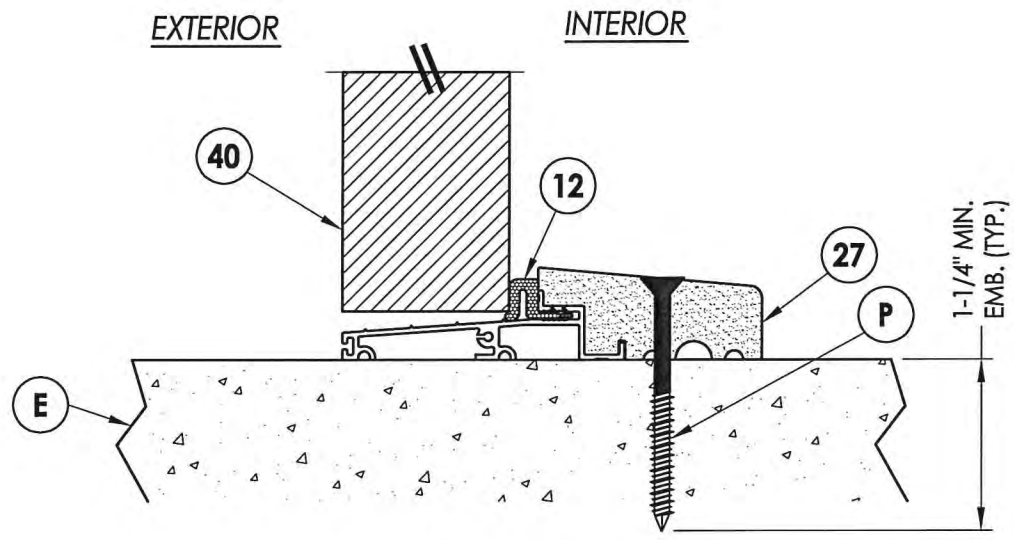
1
6 VERTICAL CROSS SECTION



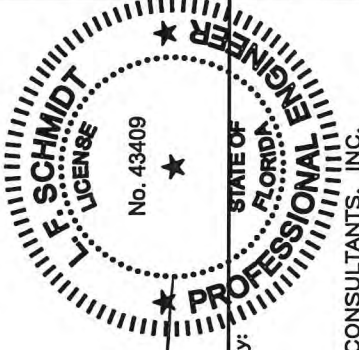
2
6 VERTICAL CROSS SECTION
Shown w/1X sub-buck



3
6 VERTICAL CROSS SECTION
Outswing sill - high dam



4
6 VERTICAL CROSS SECTION
Outswing sill



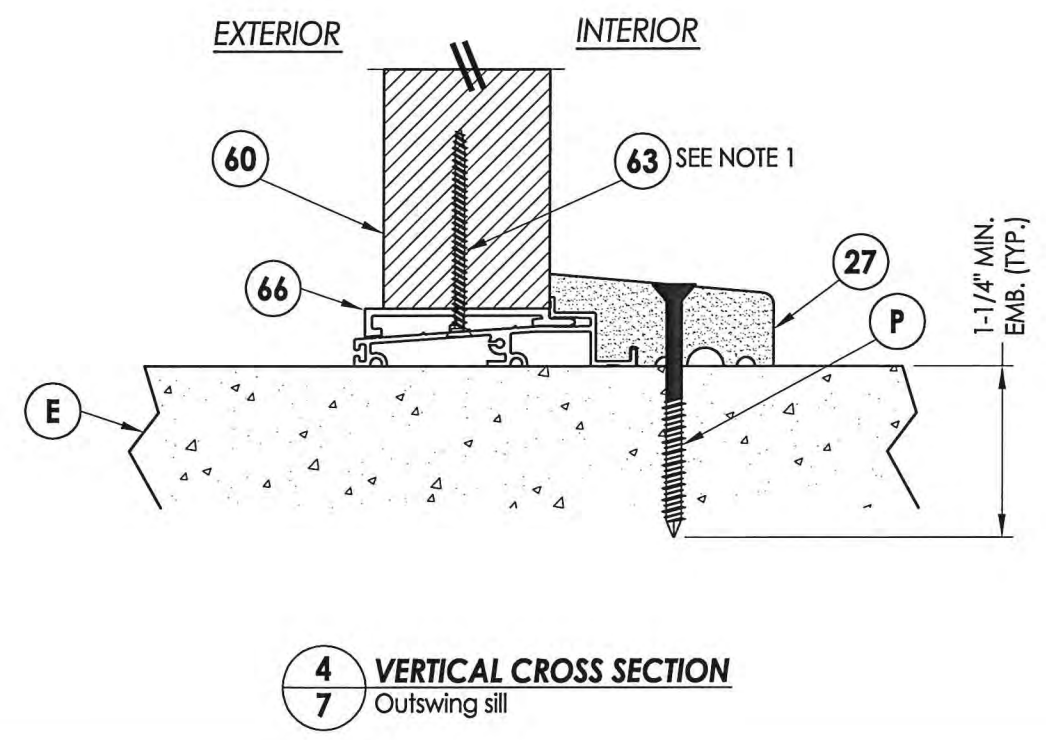
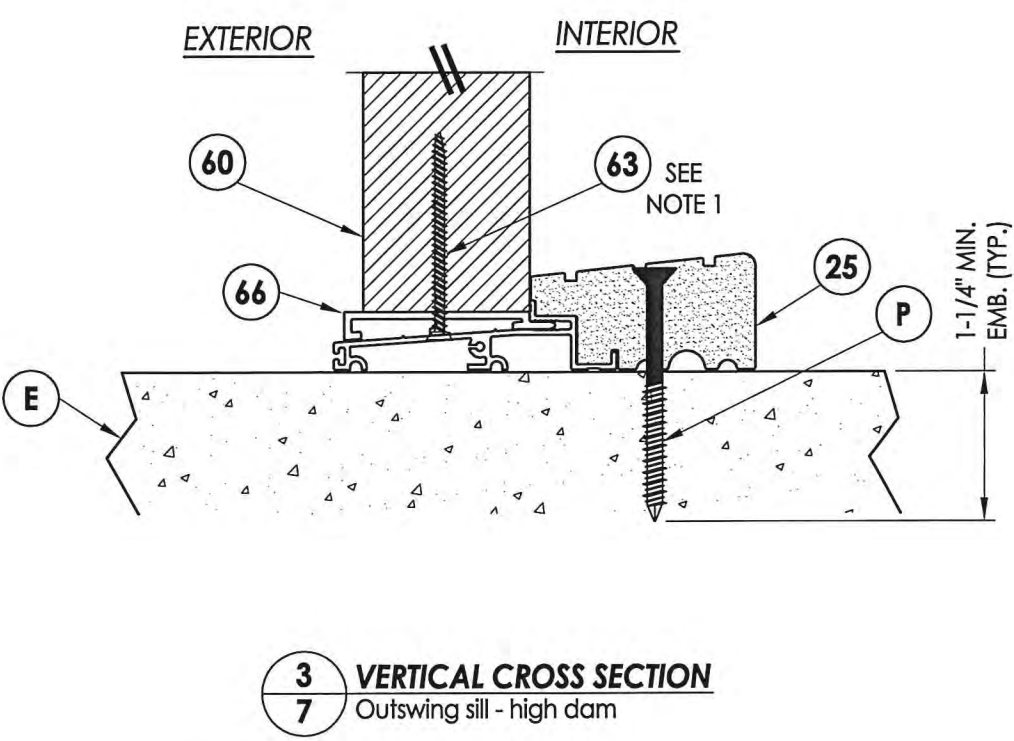
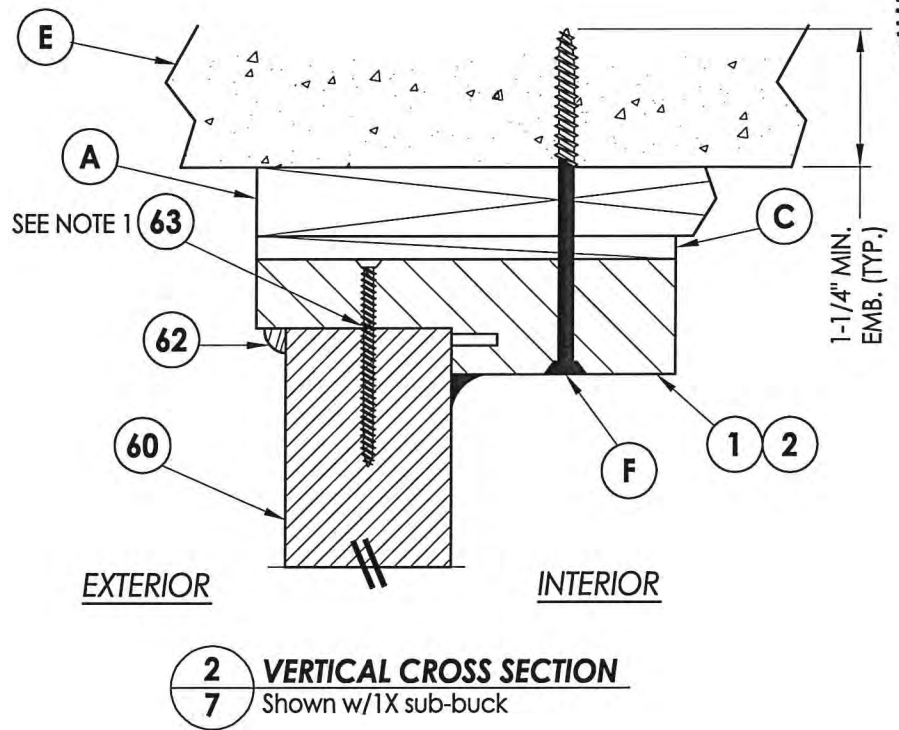
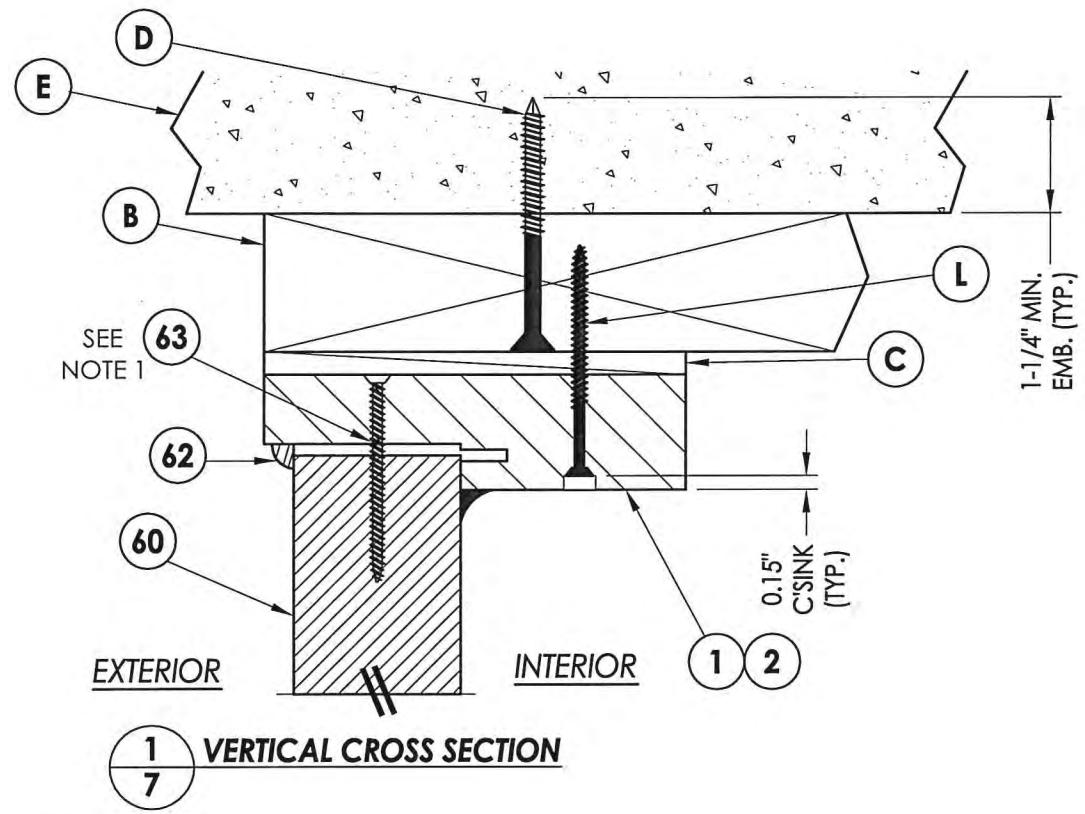
Documents Prepared By:
Lyndon F. Schmidt
P.E. No. 43409
RW BUILDING CONSULTANTS, INC.
P.O. Box 230, Valrico, FL 33595
Phone No.: 813.659.9197
FBPE C.A. No. 9813

PRODUCT: TRINITY GLASS INT'L
PART OR ASSEMBLY: VERTICAL CROSS SECTIONS

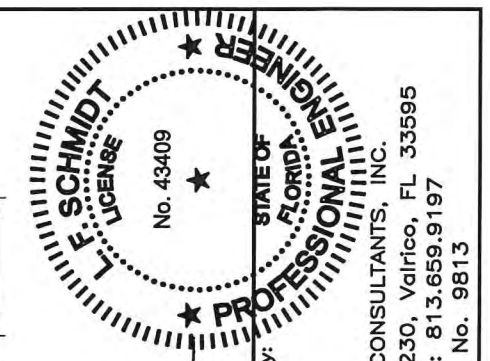
NO.	DATE	REVISIONS	BY
1	03/02/15	UPDATE TO 5TH ED. (2014) FBC	JK

DATE: 1/18/12
SCALE: N.T.S.
DWG. BY: JK
CHK. BY: LFS
DRAWING NO.: FL-15255.4
SHEET 6 OF 18

R:\Clients\Trinity PERMANENT\Florida Product Approvals\FL-15255\C - Drawings\FL-15255\1-4.dwg, 7.4



NOTE:
1. Screws thru head and sill jamb located 3" from each end and on center line.



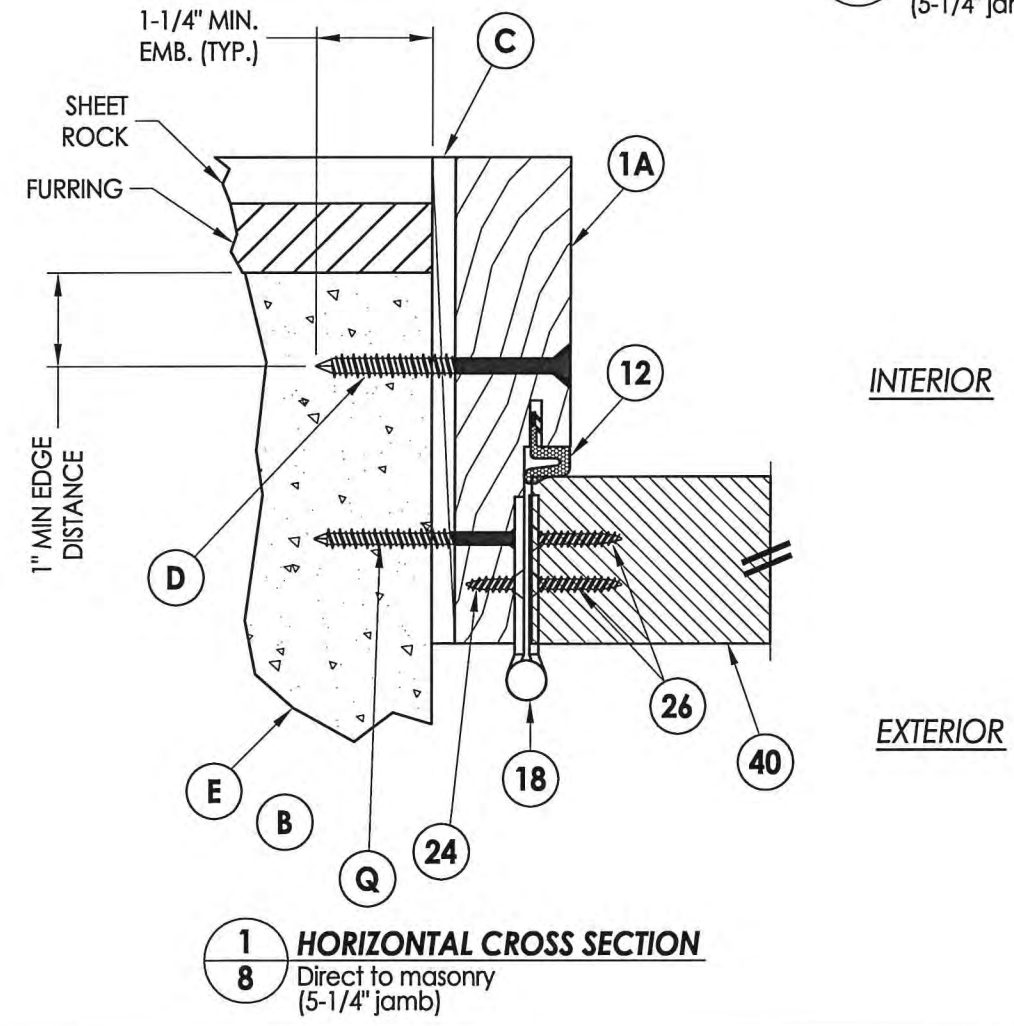
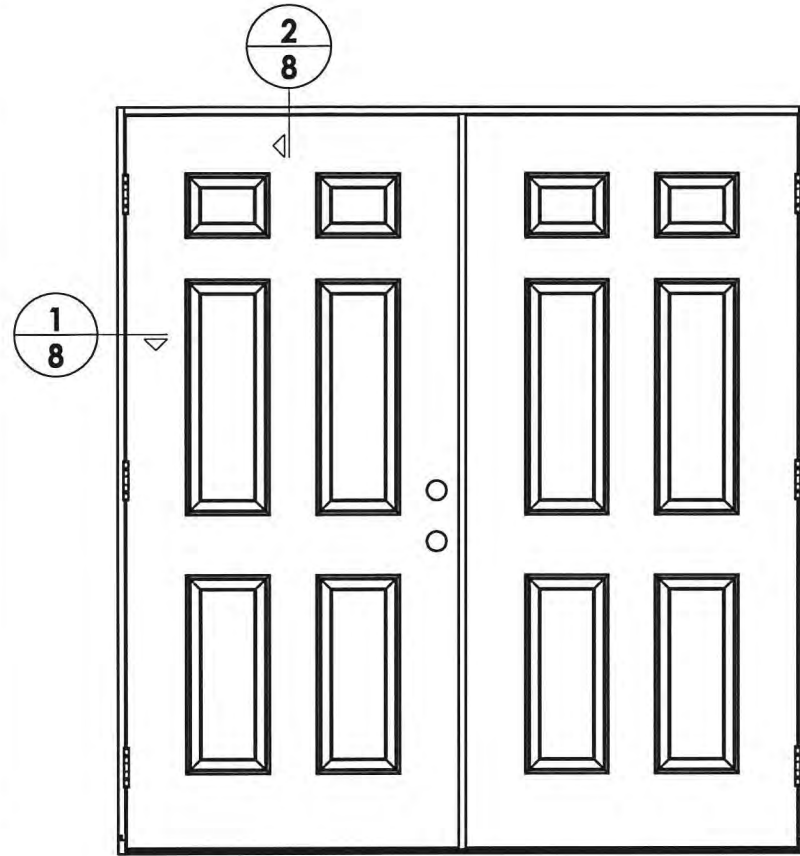
Documents Prepared By:
Lyndon F. Schmidt
P.E. No. 43409
5-1-15

PRODUCT: TRINITY GLASS INT'L

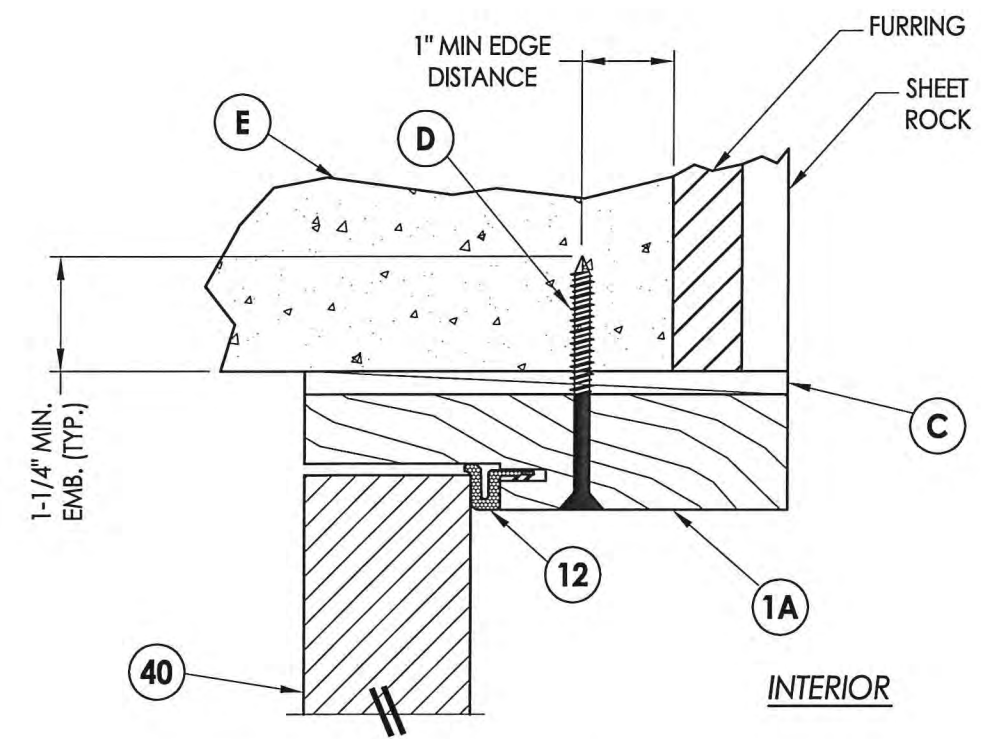
PART OR ASSEMBLY: VERTICAL CROSS SECTIONS

NO.	DATE	BY
1	03/02/15	JK

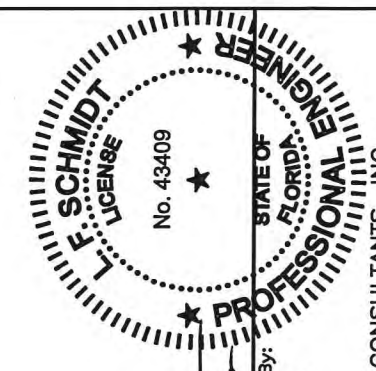
DATE: 1/18/12
SCALE: N.T.S.
DWG. BY: JK
CHK. BY: LFS
DRAWING NO.: FL-15255.4
SHEET 7 OF 18



1
8 **HORIZONTAL CROSS SECTION**
Direct to masonry
(5-1/4" jamb)



2
8 **VERTICAL CROSS SECTION**
Direct to masonry
(5-1/4" jamb)

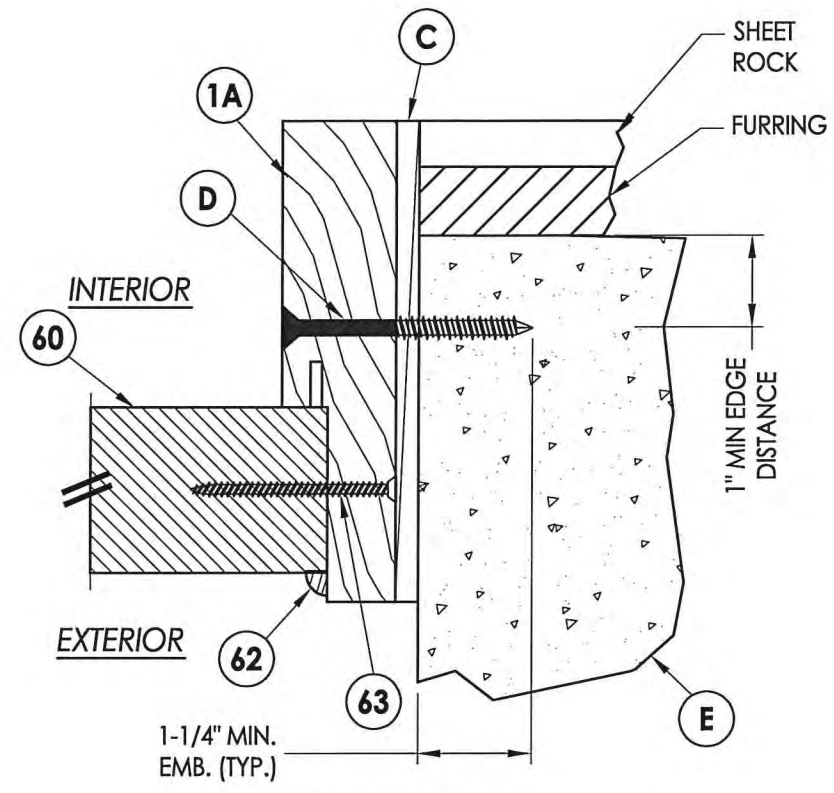
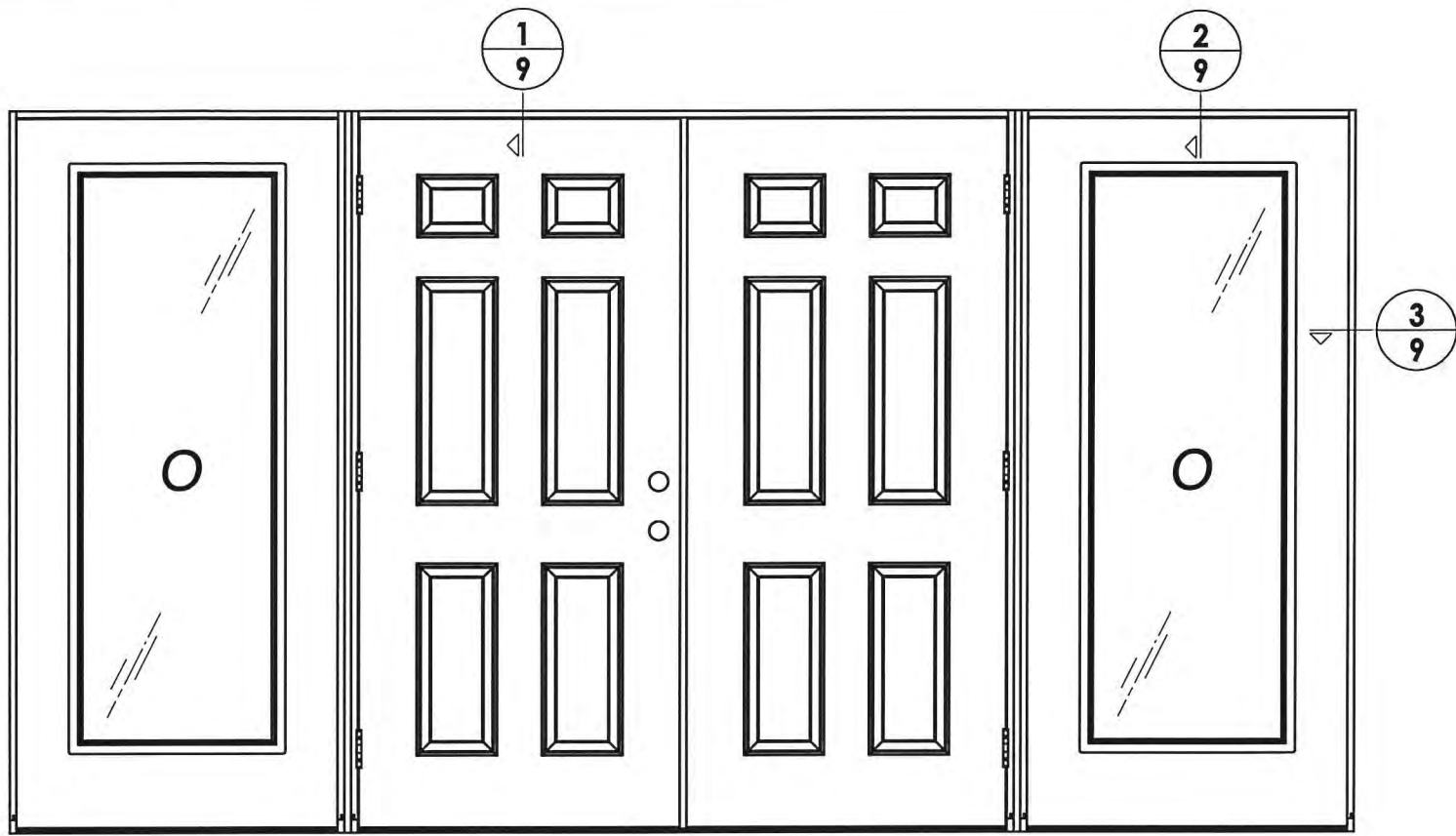


Documents Prepared By:
Lyndon F. Schmidt
P.E. No. 43409

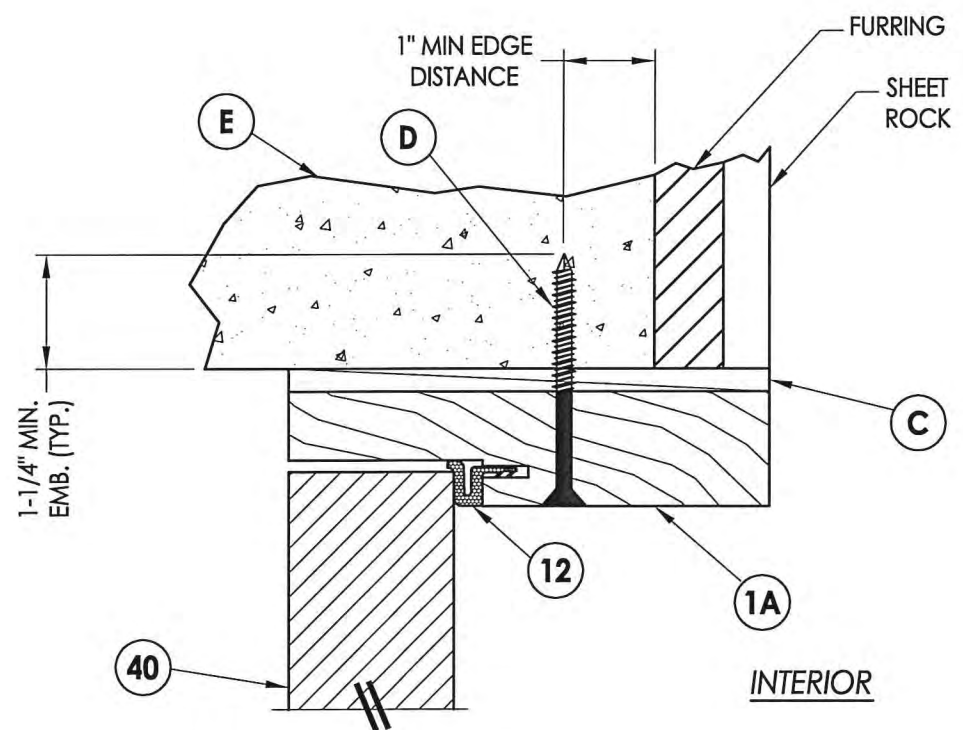
RW

BUILDING CONSULTANTS, INC.
P.O. Box 230, Valrico, FL 33595
Phone No.: 813.659.9197
FBPE C.A. No. 9813

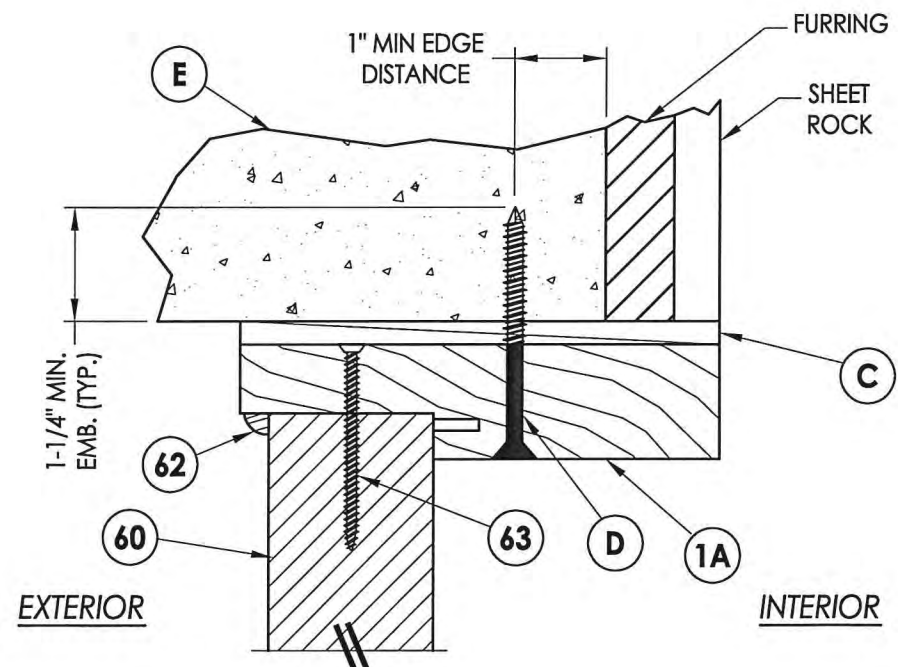
PRODUCT:	TRINITY GLASS INT'L	
PART OR ASSEMBLY:	HORIZONTAL & VERTICAL CROSS SECTIONS	
NO.	DATE	BY
1	03/02/15	JK
	UPDATE TO 5TH ED. (2014) FBC	
REVISIONS		
DATE:	02/27/12	
SCALE:	N.T.S.	
DWG. BY:	JK	
CHK. BY:	LFS	
DRAWING NO.:	FL-15255.4	
SHEET	8 of 18	



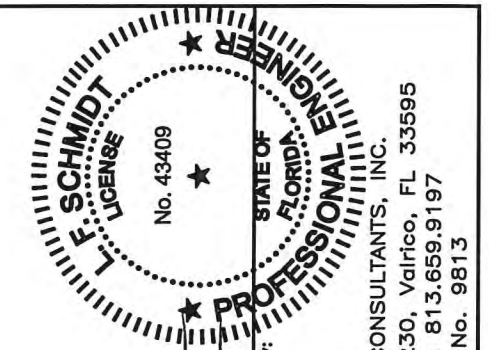
3
9 **HORIZONTAL CROSS SECTION**
Direct to masonry
(5-1/4" jamb)



1
9 **VERTICAL CROSS SECTION**
Direct to masonry
(5-1/4" jamb)



2
9 **VERTICAL CROSS SECTION**
Direct to masonry
(5-1/4" jamb)



Documents Prepared By:
Lyndon F. Schmidt
P.E. No. 43409

RW BUILDING CONSULTANTS, INC.
P.O. Box 230, Valrico, FL 33595
Phone No.: 813.659.9197
FBPE C.A. No. 9813

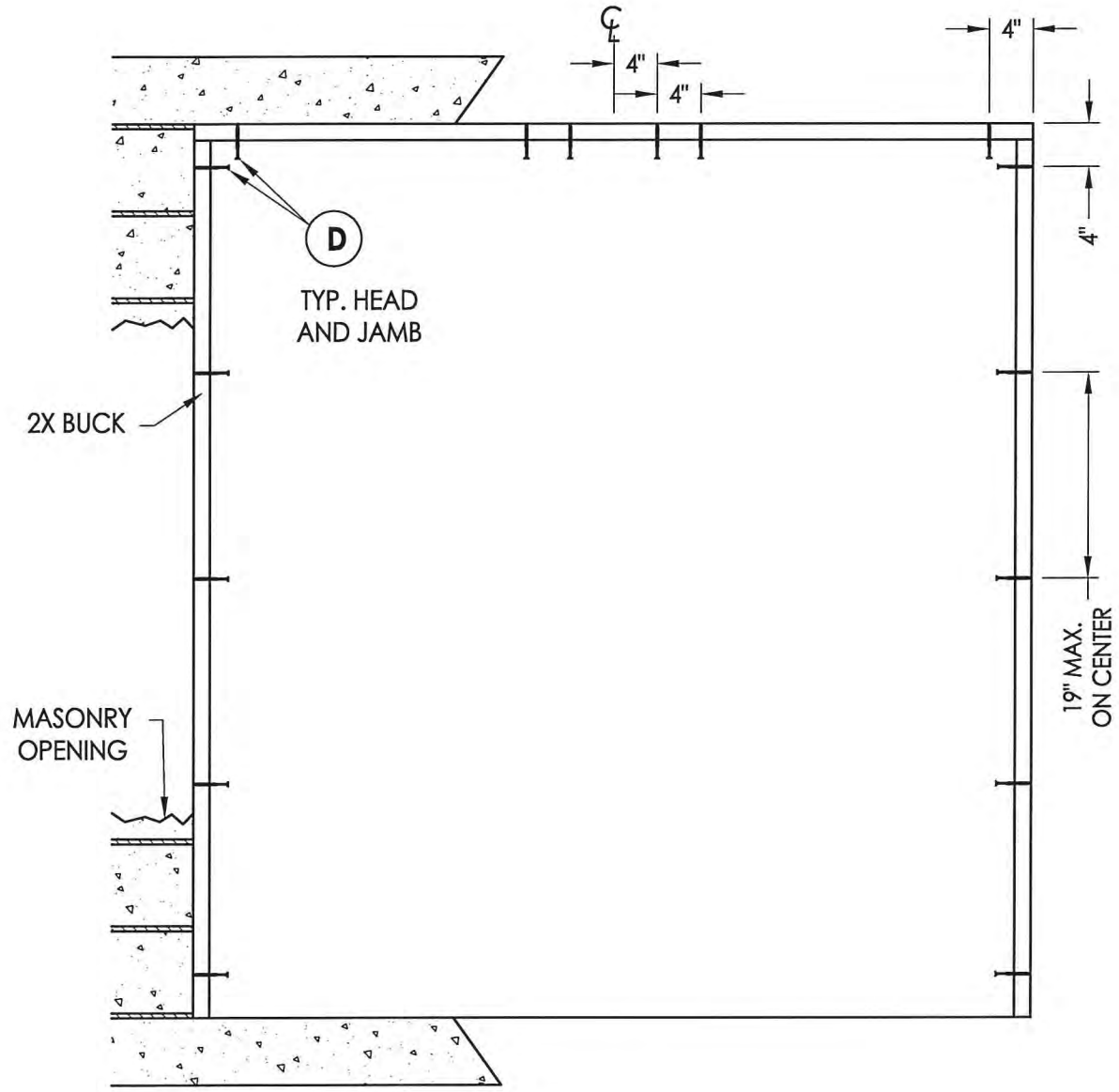
PRODUCT: TRINITY GLASS INT'L

PART OR ASSEMBLY:
HORIZONTAL & VERTICAL CROSS SECTIONS

NO.	DATE	BY	JK
1	03/02/15	JK	FBC

REVISIONS

DATE: 02/27/12
SCALE: N.T.S.
DWG. BY: JK
CHK. BY: LFS
DRAWING NO.: FL-15255.4
SHEET 9 OF 18

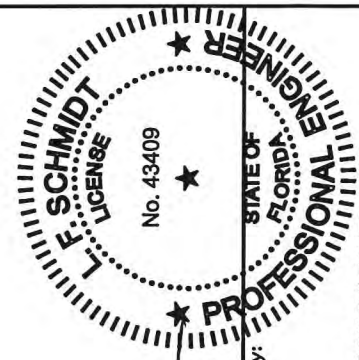


BUCK ANCHORING

CONCRETE ANCHOR NOTES:

1. Concrete anchor locations at the corners may be adjusted to maintain the min. edge distance to mortar joints.
2. Concrete anchor locations noted as "MAX. ON CENTER" must be adjusted to maintain the min. edge distance to mortar joints, additional concrete anchors may be required to ensure the "MAX. ON CENTER" dimension are not exceeded.
3. Concrete anchor table:

ANCHOR TYPE	ANCHOR SIZE	MIN. EMBEDMENT	MIN. CLEARANCE TO MASONRY EDGE	MIN. CLEARANCE TO ADJACENT ANCHOR
ITW TAPCON®	1/4"	1-1/4"	2"	4"
ELCO ULTRACON®	1/4"	1-1/4"	1"	4"



LFS
5/11/15

Documents Prepared By:
Lyndon F. Schmidt
P.E. No. 43409

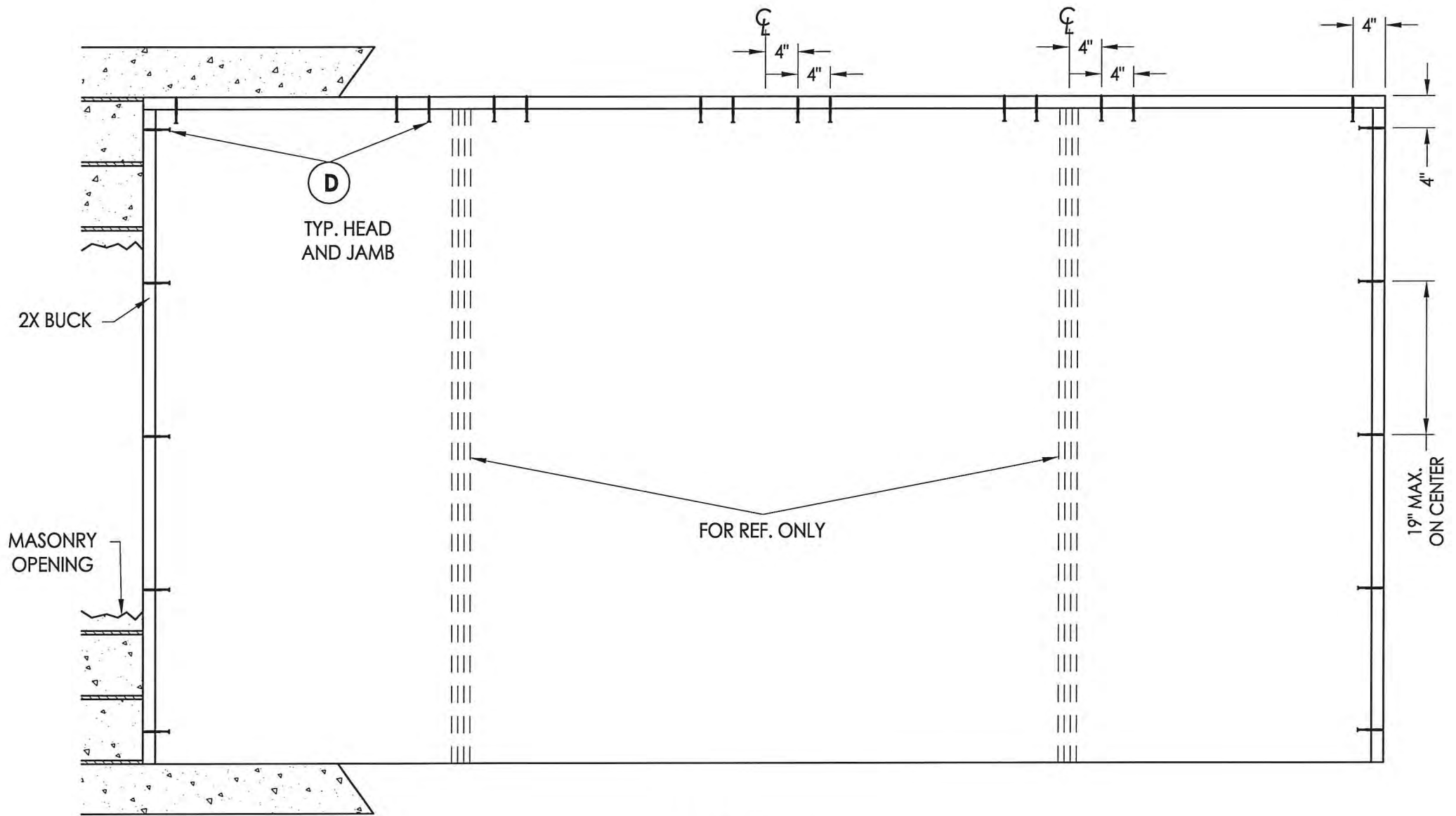
RW
BUILDING CONSULTANTS, INC.
P.O. Box 230, Valrico, FL 33595
Phone No.: 813.659.9197
FBPE C.A. No. 9813

PRODUCT: TRINITY GLASS INT'L
PART OR ASSEMBLY: BUCK ANCHORING

NO.	DATE	JK	BY
1	03/02/15	UPDATE TO 5TH ED. (2014) FBC	

DATE: 02/27/12
SCALE: N.T.S.
DWG. BY: JK
CHK. BY: LFS
DRAWING NO.: FL-15255.4
SHEET 10 OF 18

R:\Clients\Trinity PERMANENT\Florida Product Approvals\FL-15255\C - Drawings\FL-15255\FL-15255.1-4.dwg, 11.4

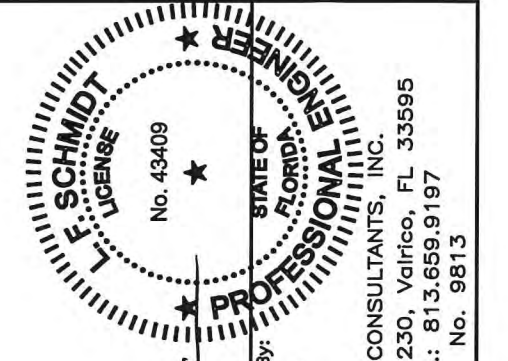


BUCK ANCHORING

CONCRETE ANCHOR NOTES:

1. Concrete anchor locations at the corners may be adjusted to maintain the min. edge distance to mortar joints.
2. Concrete anchor locations noted as "MAX. ON CENTER" must be adjusted to maintain the min. edge distance to mortar joints, additional concrete anchors may be required to ensure the "MAX. ON CENTER" dimension are not exceeded.
3. Concrete anchor table:

ANCHOR TYPE	ANCHOR SIZE	MIN. EMBEDMENT	MIN. CLEARANCE TO MASONRY EDGE	MIN. CLEARANCE TO ADJACENT ANCHOR
ITW TAPCON®	1/4"	1-1/4"	2"	4"
ELCO ULTRACON®	1/4"	1-1/4"	1"	4"



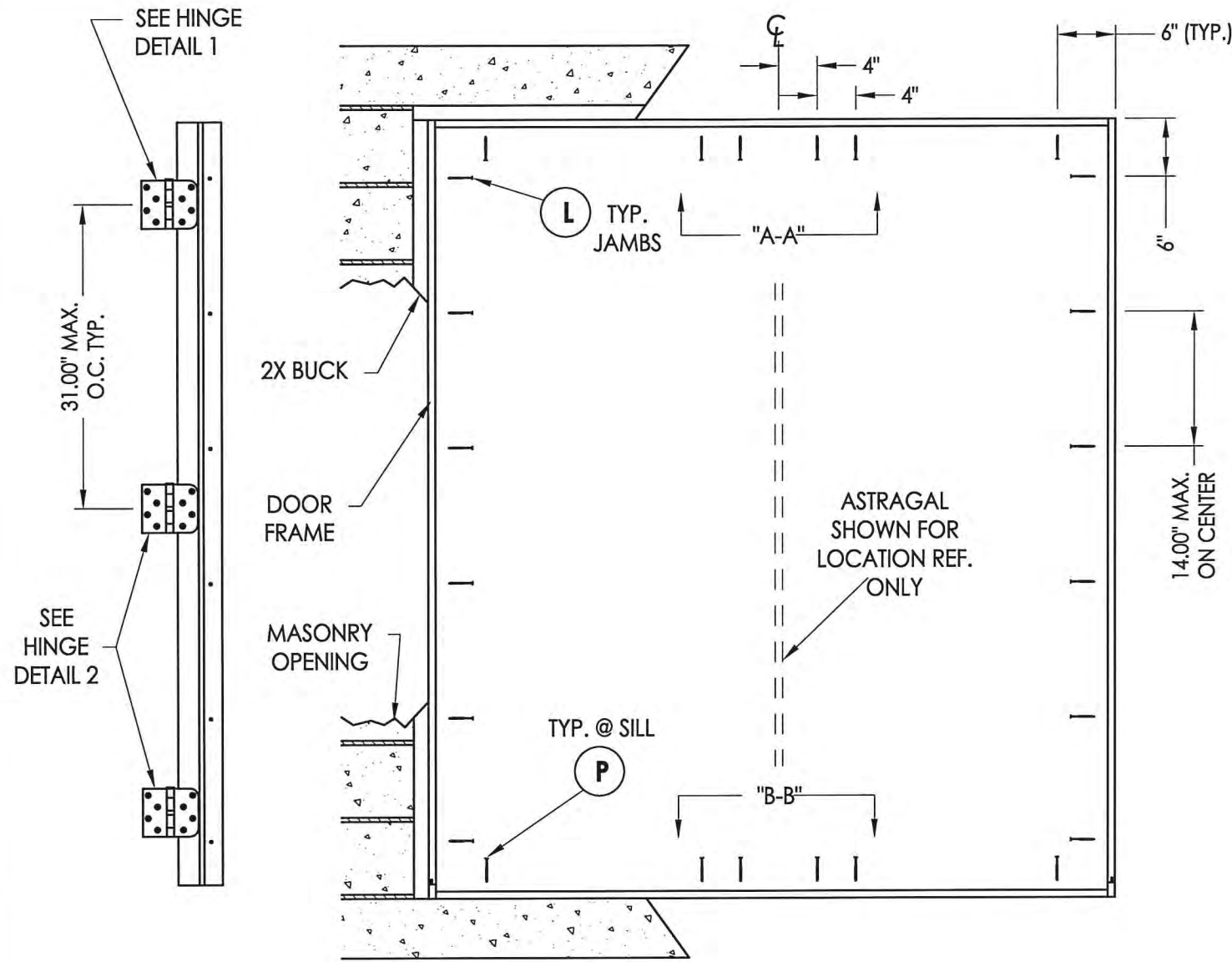
Documents Prepared By:
 Lyndon F. Schmidt
 P.E. No. 43409
 R.W. BUILDING CONSULTANTS, INC.
 P.O. Box 230, Valrico, FL 33595
 Phone No.: 813.659.9197
 FBPE C.A. No. 9813

PRODUCT: TRINITY GLASS INT'L
 PART OR ASSEMBLY: BUCK ANCHORING

NO.	DATE	BY
1	03/02/15	JK

UPDATE TO 5TH ED. (2014) FBC

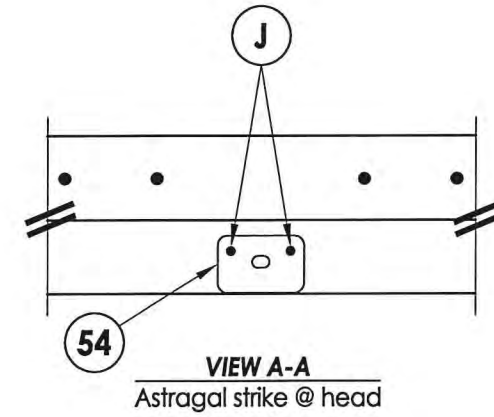
DATE: 02/27/12
 SCALE: N.T.S.
 DWG. BY: JK
 CHK. BY: LFS
 DRAWING NO.: FL-15255.4
 SHEET 11 OF 18



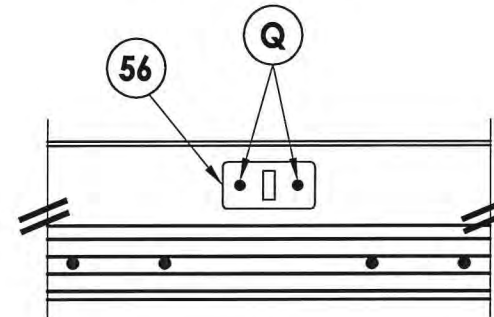
HINGE JAMB

FRAME ANCHORING
Masonry 2X buck construction

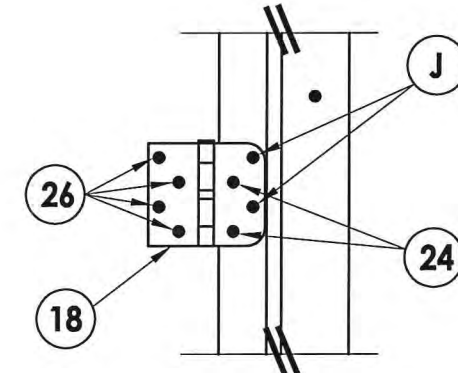
ASTRAGAL



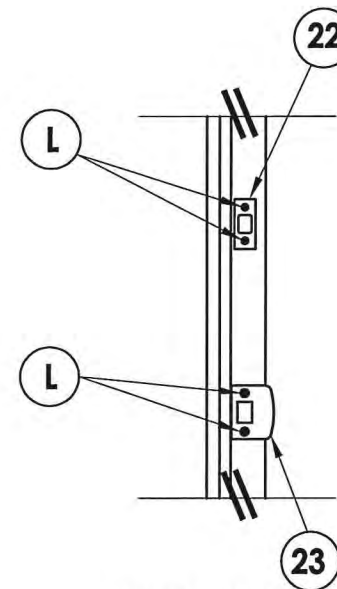
VIEW A-A
Astragal strike @ head



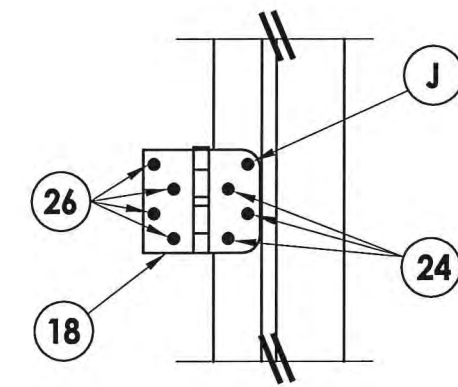
VIEW B-B
Astragal strike @ sill



HINGE DETAIL 1



STRIKE PLATE DETAIL
Astragal



HINGE DETAIL 2

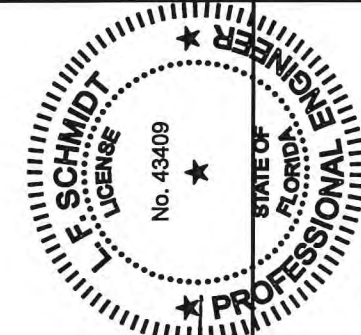
CONCRETE ANCHOR NOTES:

- Concrete anchor locations at the corners may be adjusted to maintain the min. edge distance to mortar joints.
- Concrete anchor locations noted as "MAX. ON CENTER" must be adjusted to maintain the min. edge distance to mortar joints, additional concrete anchors may be required to ensure the "MAX. ON CENTER" dimension are not exceeded.
- Concrete anchor table:

ANCHOR TYPE	ANCHOR SIZE	MIN. EMBEDMENT	MIN. CLEARANCE TO MASONRY EDGE	MIN. CLEARANCE TO ADJACENT ANCHOR
ITW TAPCON®	1/4"	1-1/4"	2"	4"
ELCO ULTRACON®	1/4"	1-1/4"	1"	4"
ITW TAPCON®	3/16"	1-1/4"	3"	1-1/2"

WOOD SCREW INSTALLATION NOTES:

- Maintain a minimum 5/8" edge distance, 1" end distance, & 1" o.c. spacing of wood screws to prevent the splitting of wood.



Documents Prepared By:
Lyndon F. Schmidt
P.E. No. 43409

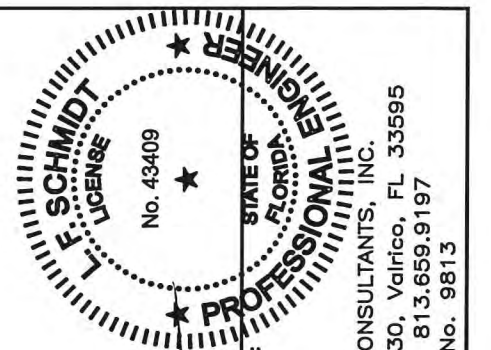
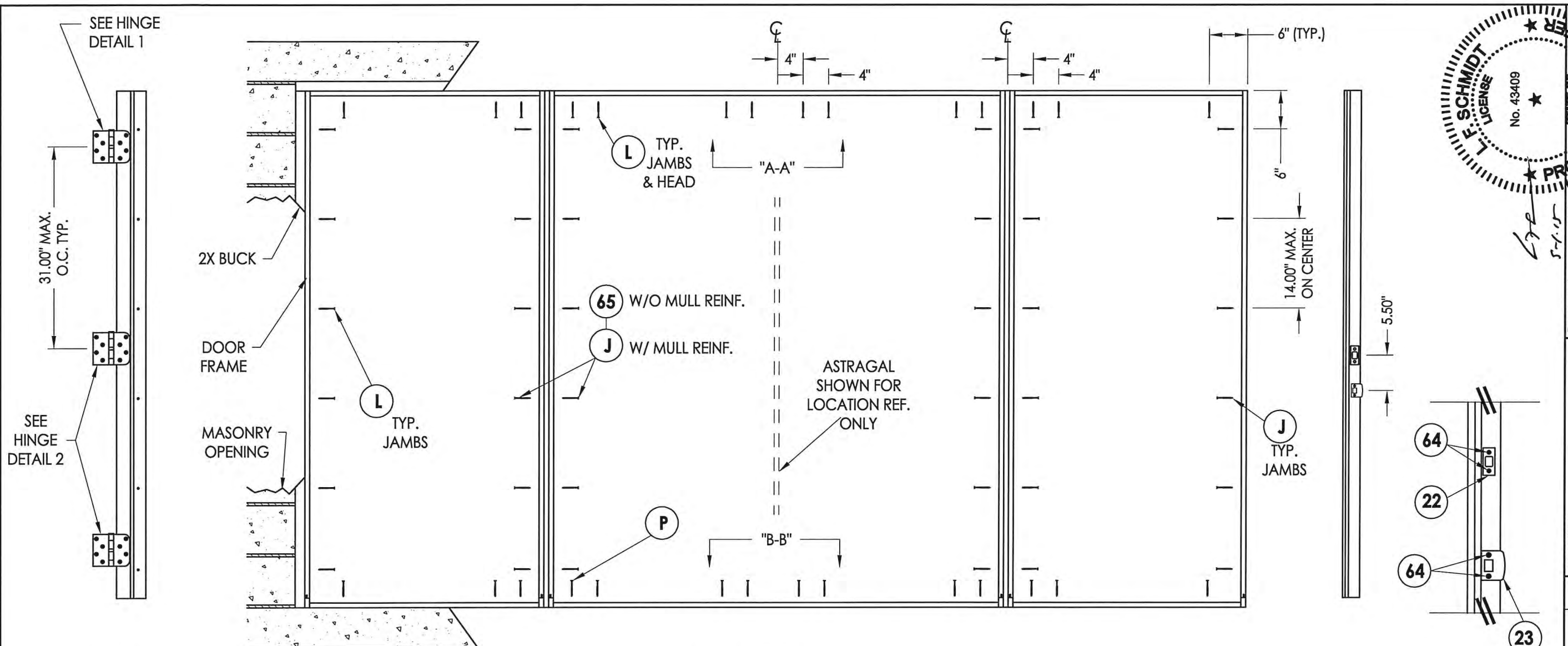
R.W. BUILDING CONSULTANTS, INC.
P.O. Box 230, Vairico, FL 33595
Phone No.: 813.659.9197
FBPE C.A. No. 9813

PRODUCT: TRINITY GLASS INT'L
PART OR ASSEMBLY: FRAME ANCHORING
2X BUCK MASONRY CONSTRUCTION

NO.	DATE	BY	REVISIONS
1	03/02/15	JK	UPDATE TO 5TH ED. (2014) FBC

DATE: 02/27/12
SCALE: N.T.S.
DWG. BY: JK
CHK. BY: LFS
DRAWING NO.: FL-15255.4
SHEET 12 OF 18

R:\Clients\Trinity PERMANENT\Florida Product Approvals\FL-15255\C - Drawings\FL-15255\1-4.dwg, 13.4



Documents Prepared By:
Lyndon F. Schmidt
P.E. No. 43409

RW BUILDING CONSULTANTS, INC.
P.O. Box 230, Valrico, FL 33595
Phone No.: 813.659.9197
FBPE C.A. No. 9813

PRODUCT: TRINITY GLASS INT'L
PART OR ASSEMBLY: FRAME ANCHORING
2X BUCK MASONRY CONSTRUCTION

NO.	DATE	REVISIONS
1	03/02/15	UPDATE TO 5TH ED. (2014) FBC

DATE: 02/27/12
SCALE: N.T.S.
DWG. BY: JK
CHK. BY: LFS
DRAWING NO.: FL-15255.4
SHEET 13 OF 18

HINGE JAMB

CONCRETE ANCHOR NOTES:

1. Concrete anchor locations at the corners may be adjusted to maintain the min. edge distance to mortar joints.
2. Concrete anchor locations noted as "MAX. ON CENTER" must be adjusted to maintain the min. edge distance to mortar joints, additional concrete anchors may be required to ensure the "MAX. ON CENTER" dimension are not exceeded.
3. Concrete anchor table:

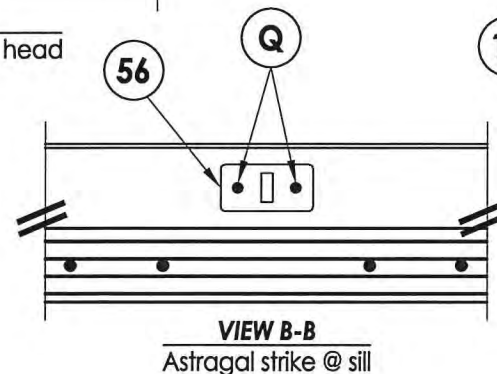
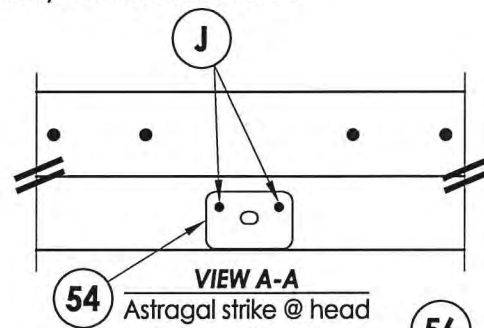
ANCHOR TYPE	ANCHOR SIZE	MIN. EMBEDMENT	MIN. CLEARANCE TO MASONRY EDGE	MIN. CLEARANCE TO ADJACENT ANCHOR
ITW TAPCON®	1/4"	1-1/4"	2"	4"
ELCO ULTRACON®	1/4"	1-1/4"	1"	4"
ITW TAPCON®	3/16"	1-1/4"	3"	1-1/2"

WOOD SCREW INSTALLATION NOTES:

1. Maintain a minimum 5/8" edge distance, 1" end distance, & 1" o.c. spacing of wood screws to prevent the splitting of wood.

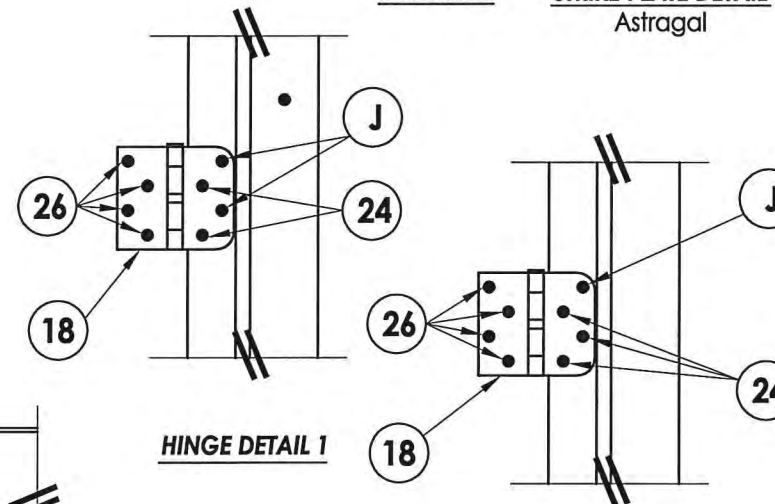
FRAME ANCHORING

Masonry 2X buck construction



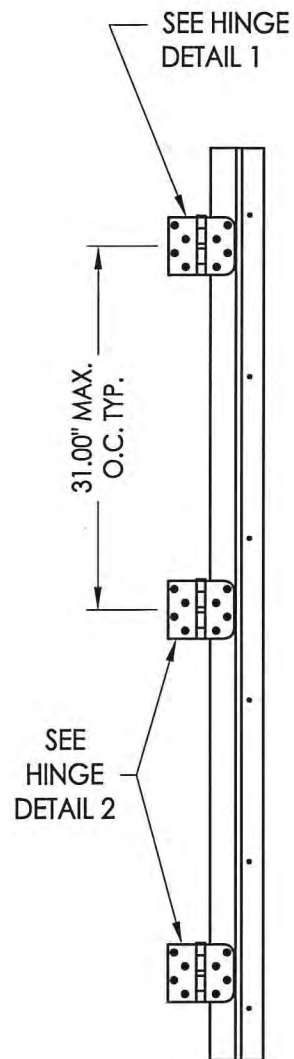
ASTRAGAL

STRIKE PLATE DETAIL
Astragal

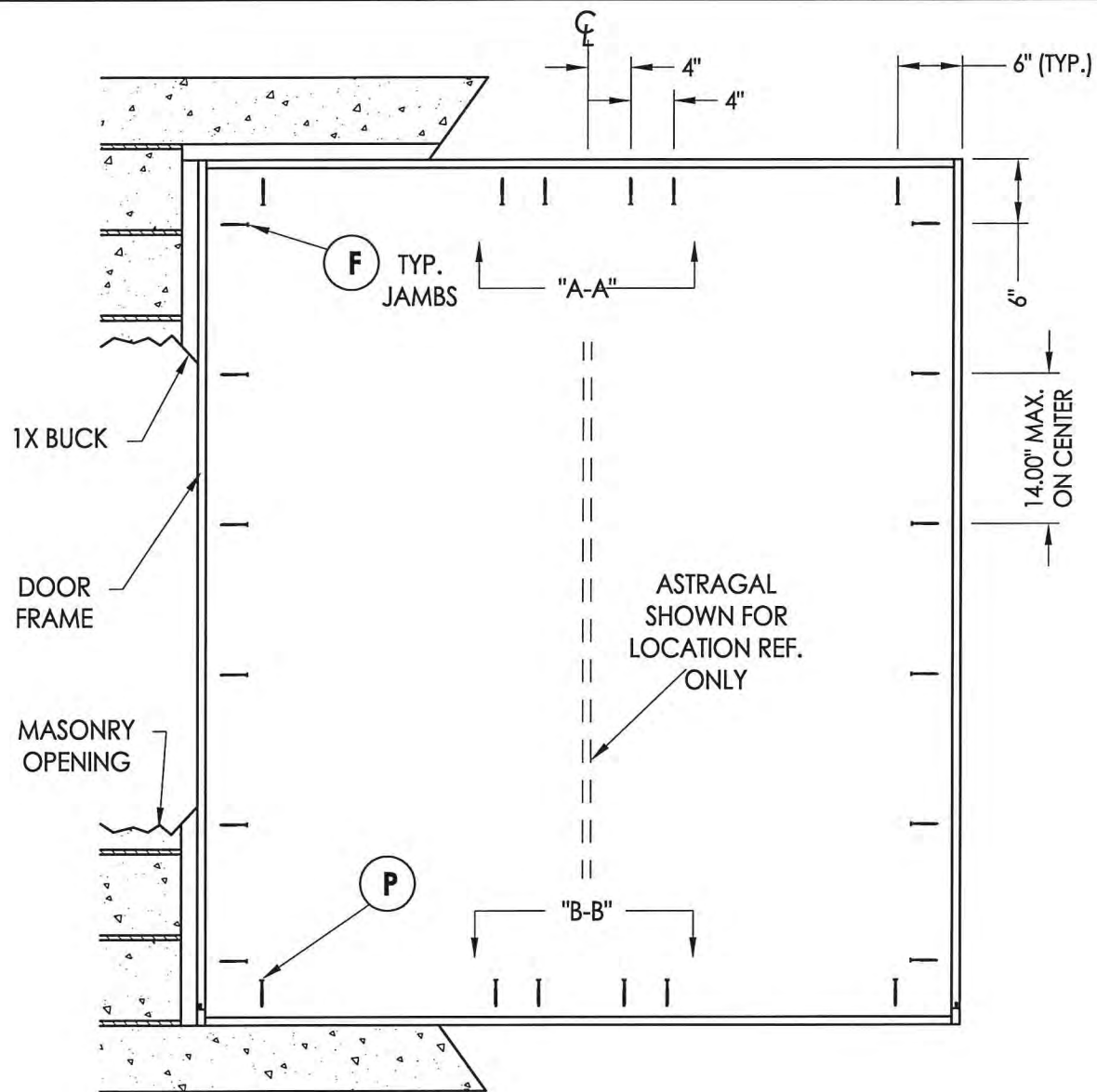


© 2012 R.W. BUILDING CONSULTANTS INC.

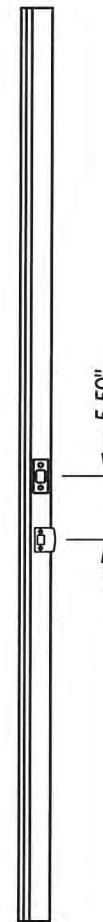
R:\Clients\Trinity PERMANENT\Florida Product Approvals\FL-15255\C - Drawings\FL-15255\FL-15255.1-4.dwg, 14.4



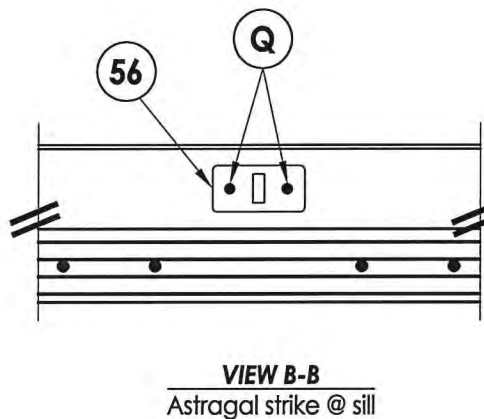
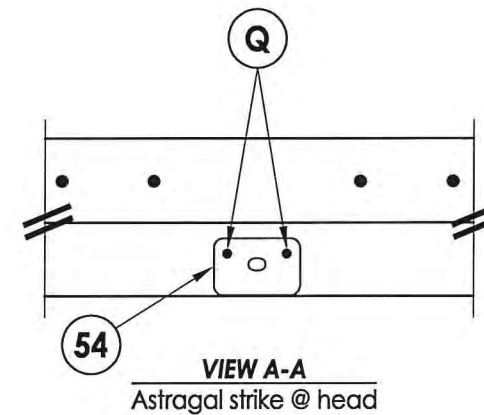
HINGE JAMB



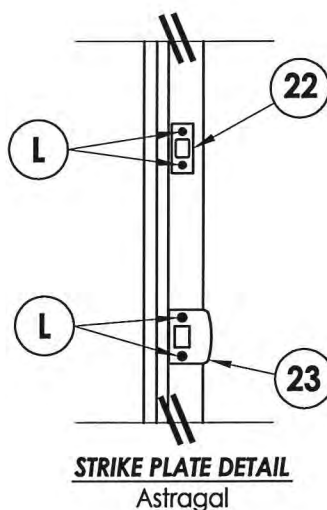
FRAME ANCHORING
Masonry 1X Buck Construction
or Direct to Masonry



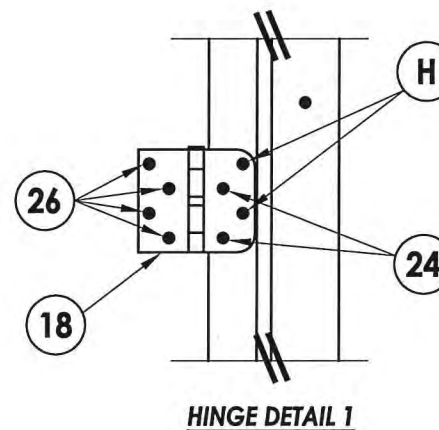
ASTRAGAL



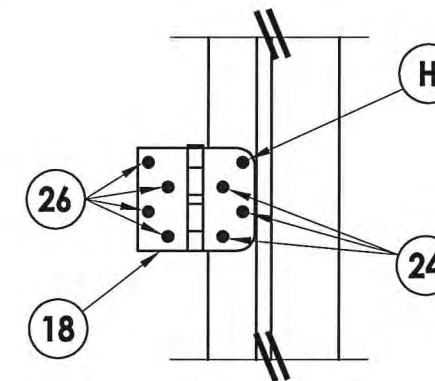
HINGE DETAIL 1



STRIKE PLATE DETAIL
Astragal



HINGE DETAIL 1

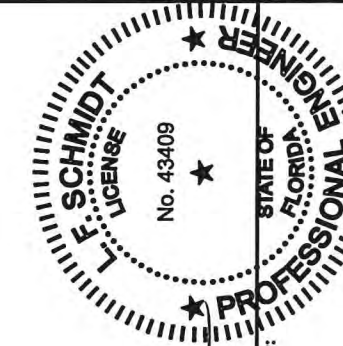


HINGE DETAIL 2

CONCRETE ANCHOR NOTES:

1. Concrete anchor locations at the corners may be adjusted to maintain the min. edge distance to mortar joints.
2. Concrete anchor locations noted as "MAX. ON CENTER" must be adjusted to maintain the min. edge distance to mortar joints, additional concrete anchors may be required to ensure the "MAX. ON CENTER" dimension are not exceeded.
3. Concrete anchor table:

ANCHOR TYPE	ANCHOR SIZE	MIN. EMBEDMENT	MIN. CLEARANCE TO MASONRY EDGE	MIN. CLEARANCE TO ADJACENT ANCHOR
ITW TAPCON®	1/4"	1-1/4"	2"	4"
ELCO ULTRACON®	1/4"	1-1/4"	1"	4"
ITW TAPCON®	3/16"	1-1/4"	3"	1-1/2"



Documents Prepared By:
Lyndon F. Schmidt
P.E. No. 43409

R.W. BUILDING CONSULTANTS, INC.
P.O. Box 230, Valrico, FL 33595
Phone No.: 813.659.9197
FBPE C.A. No. 9813

PRODUCT: TRINITY GLASS INT'L

PART OR ASSEMBLY:
FRAME ANCHORING
1x BUCK MASONRY CONSTRUCTION

NO.	DATE	REVISIONS
1	03/02/15	UPDATE TO 5TH ED. (2014) FBC
		JK BY

DATE: 02/27/12

SCALE: N.T.S.

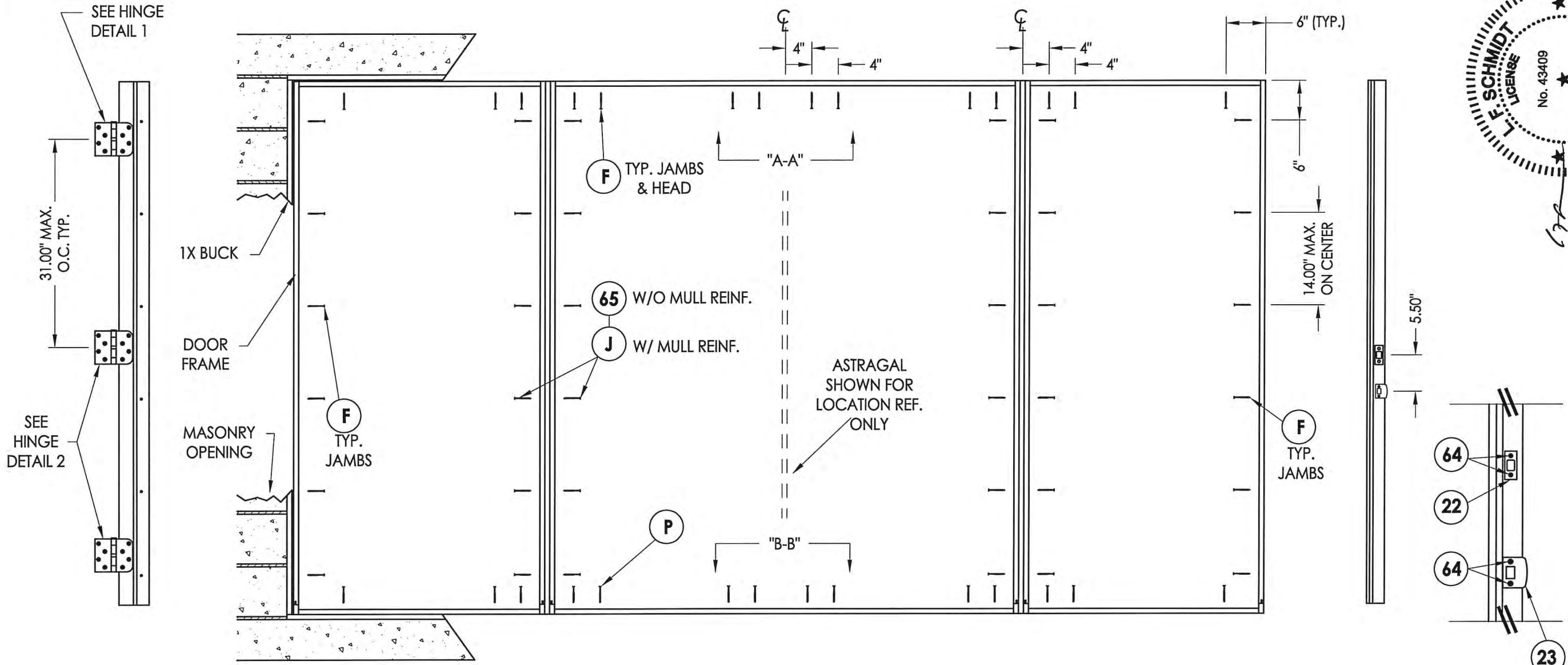
DWG. BY: JK

CHK. BY: LFS

DRAWING NO.:
FL-15255.4

SHEET 14 OF 18

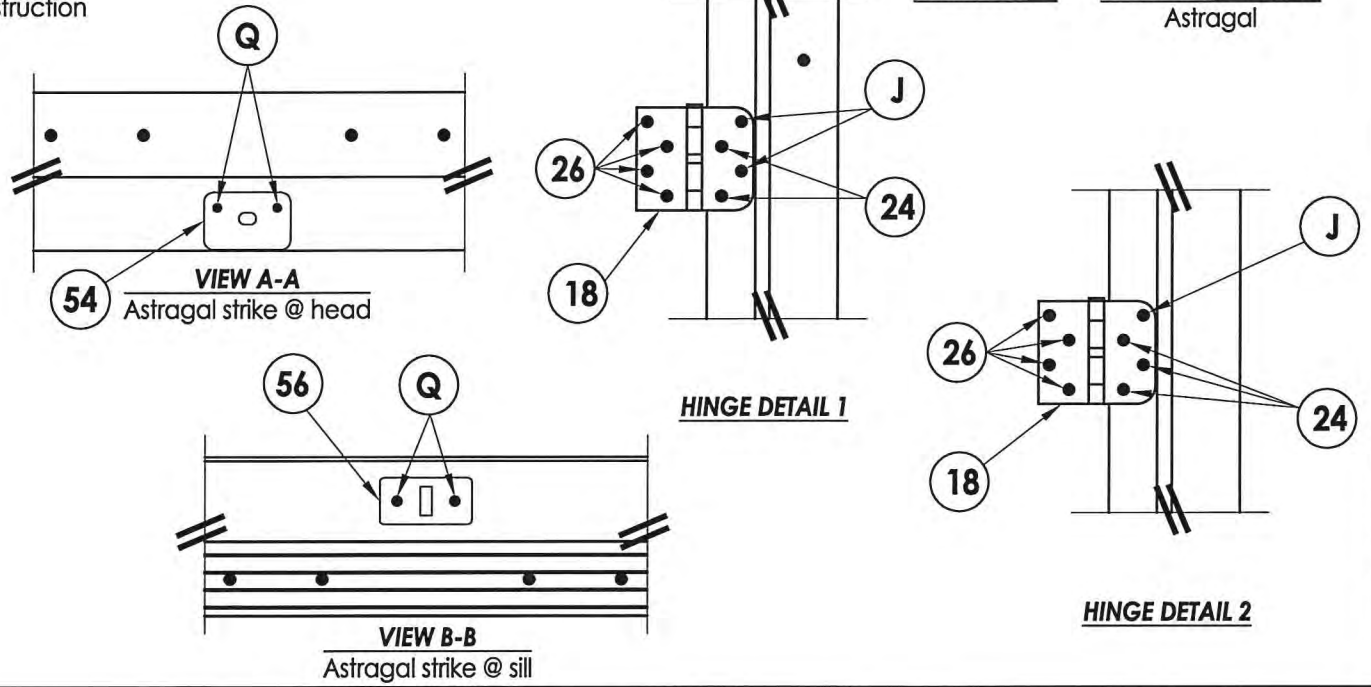
R:\Clients\Trinity PERMANENT\Florida Product Approvals\FL-15255\C - Drawings\FL-15255\1-4.dwg, 15.4



HINGE JAMB

FRAME ANCHORING
Masonry 2X buck construction

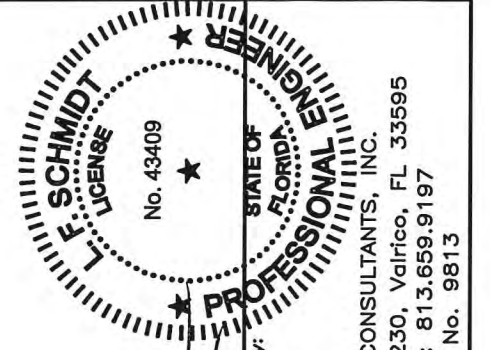
ASTRAGAL
STRIKE PLATE DETAIL
Astragal



CONCRETE ANCHOR NOTES:

1. Concrete anchor locations at the corners may be adjusted to maintain the min. edge distance to mortar joints.
2. Concrete anchor locations noted as "MAX. ON CENTER" must be adjusted to maintain the min. edge distance to mortar joints, additional concrete anchors may be required to ensure the "MAX. ON CENTER" dimension are not exceeded.
3. Concrete anchor table:

ANCHOR TYPE	ANCHOR SIZE	MIN. EMBEDMENT	MIN. CLEARANCE TO MASONRY EDGE	MIN. CLEARANCE TO ADJACENT ANCHOR
ITW TAPCON®	1/4"	1-1/4"	2"	4"
ELCO ULTRACON®	1/4"	1-1/4"	1"	4"
ITW TAPCON®	3/16"	1-1/4"	3"	1-1/2"



Documents Prepared By:
Lyndon F. Schmidt
P.E. No. 43409

RW BUILDING CONSULTANTS, INC.
P.O. Box 230, Valrico, FL 33595
Phone No.: 813.659.9197
FBPE C.A. No. 9813

PRODUCT: TRINITY GLASS INT'L

PART OR ASSEMBLY: FRAME ANCHORING

1x BUCK MASONRY CONSTRUCTION

NO.	DATE	BY	REVISIONS
1	03/02/15	JK	UPDATE TO 5TH ED. (2014) FBC

DATE: 02/27/12

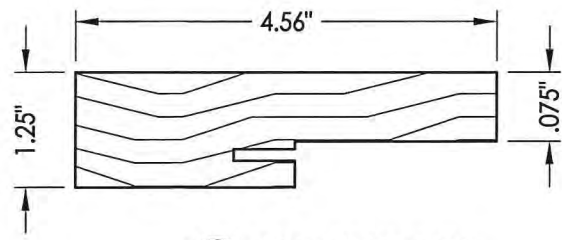
SCALE: N.T.S.

DWG. BY: JK

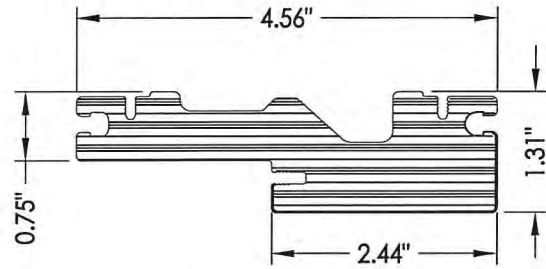
CHK. BY: LFS

DRAWING NO.: FL-15255.4

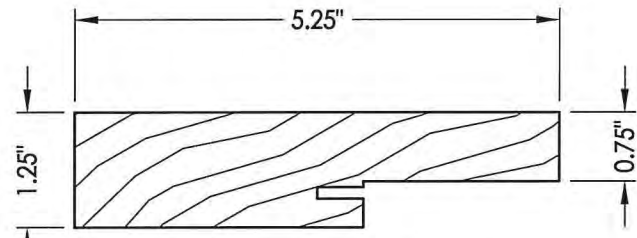
SHEET 15 OF 18



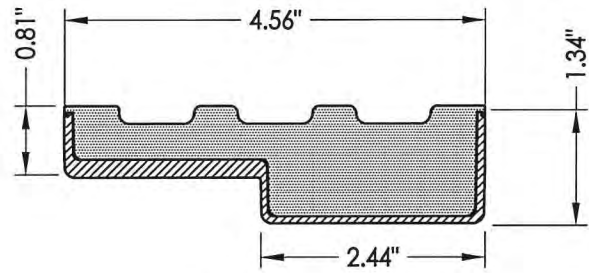
1 SIDE & HEAD JAMBS



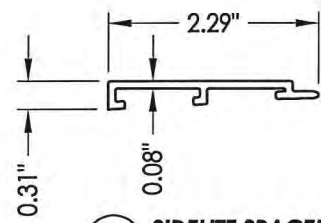
**3 HEAD AND JAMBS
PVC**



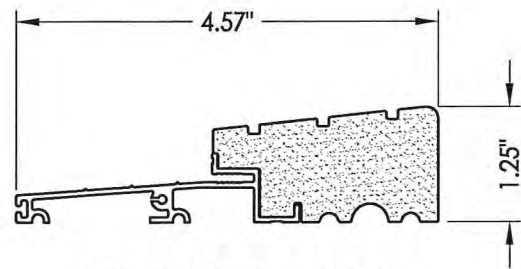
**1A SIDE & HEAD JAMBS
(5-1/4" or larger)**



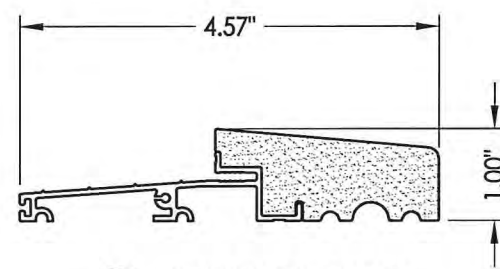
**2 HEAD AND JAMBS
Composite PVC Base
w/ Fiberglass Wrap**



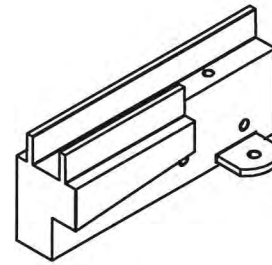
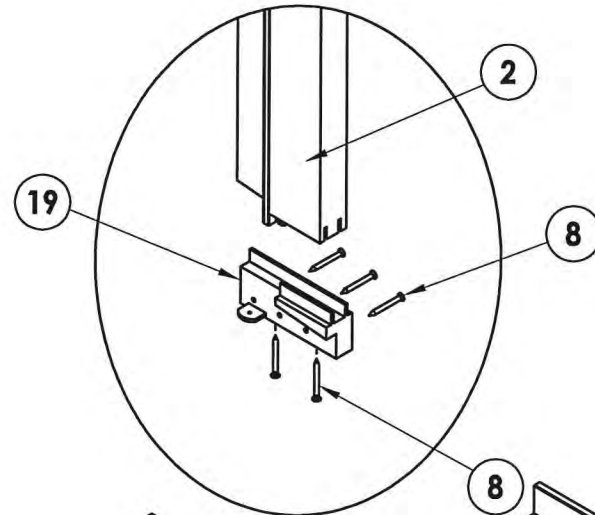
**66 SIDELITE SPACER
Outswing**



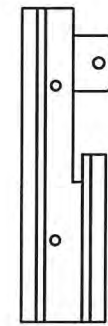
**25 OUTSWING THRESHOLD
High-dam option**



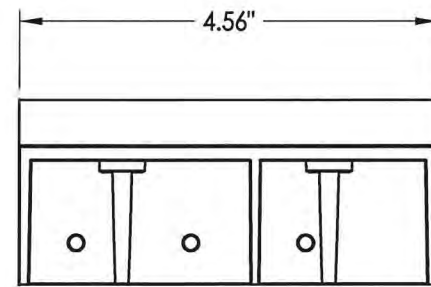
27 OUTSWING THRESHOLD



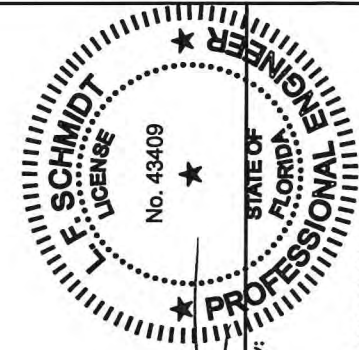
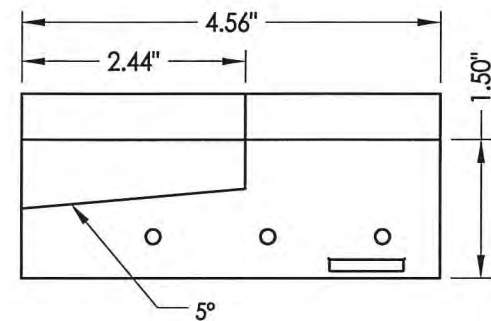
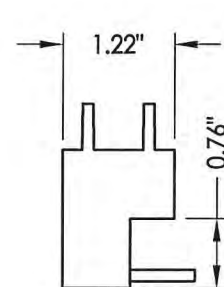
SILLKEY, LEFT
SCALE: NONE



SILLKEY, RIGHT
SCALE: NONE



**19 SILLKEY DETAILS
Optional**



Documents Prepared By:
Lyndon F. Schmidt
P.E. No. 43409

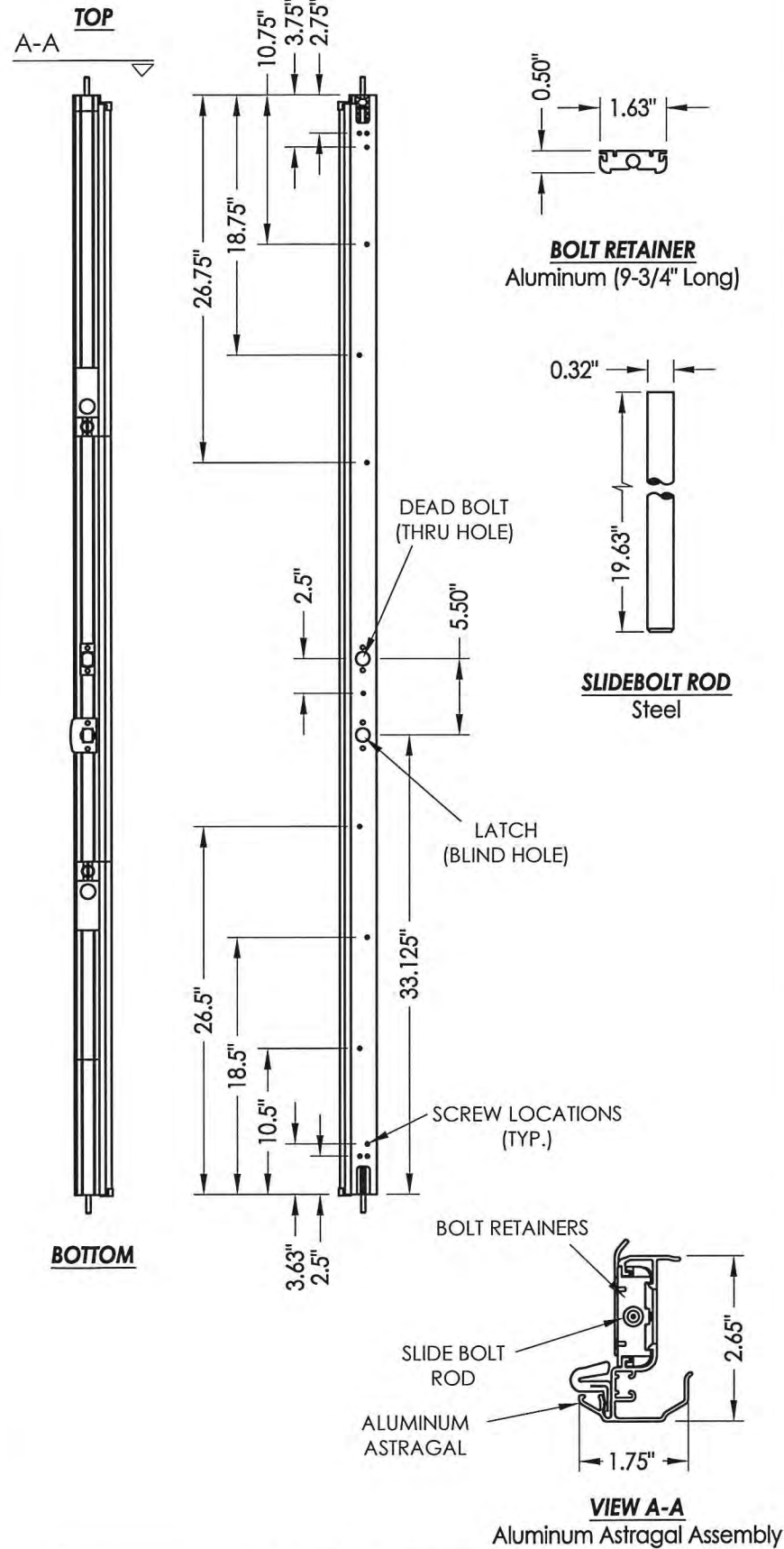
R.W. BUILDING CONSULTANTS, INC.
P.O. Box 230, Valrico, FL 33595
Phone No.: 813.659.9197
FBPE C.A. No. 9813

PRODUCT:	TRINITY GLASS INT'L
PART OR ASSEMBLY:	COMPONENTS

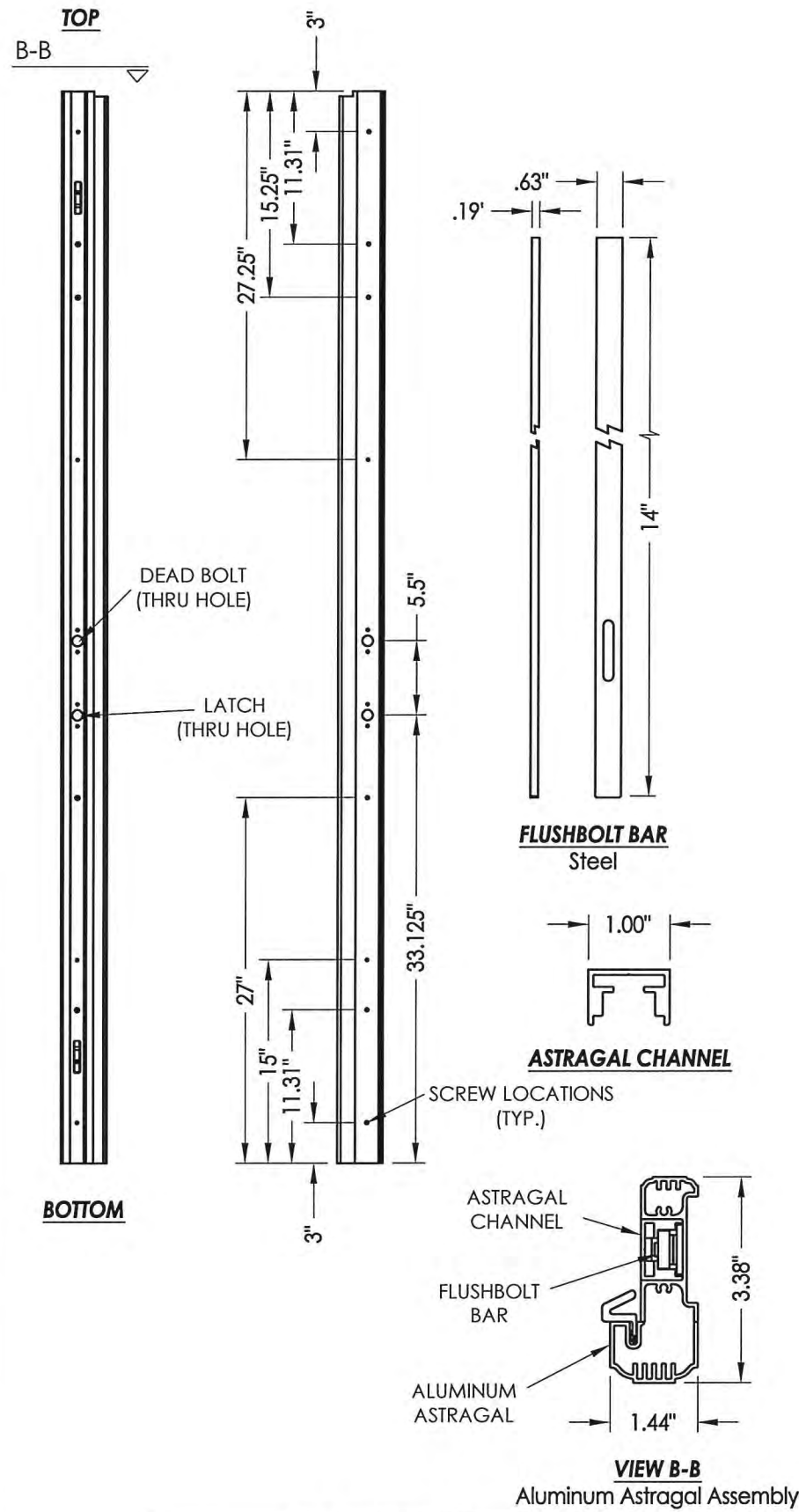
NO.	DATE	BY
1	03/02/15	JK

DATE:	02/27/12
SCALE:	N.T.S.
DWG. BY:	JK
CHK. BY:	LFS
DRAWING NO.:	FL-15255.4
SHEET	16 OF 18

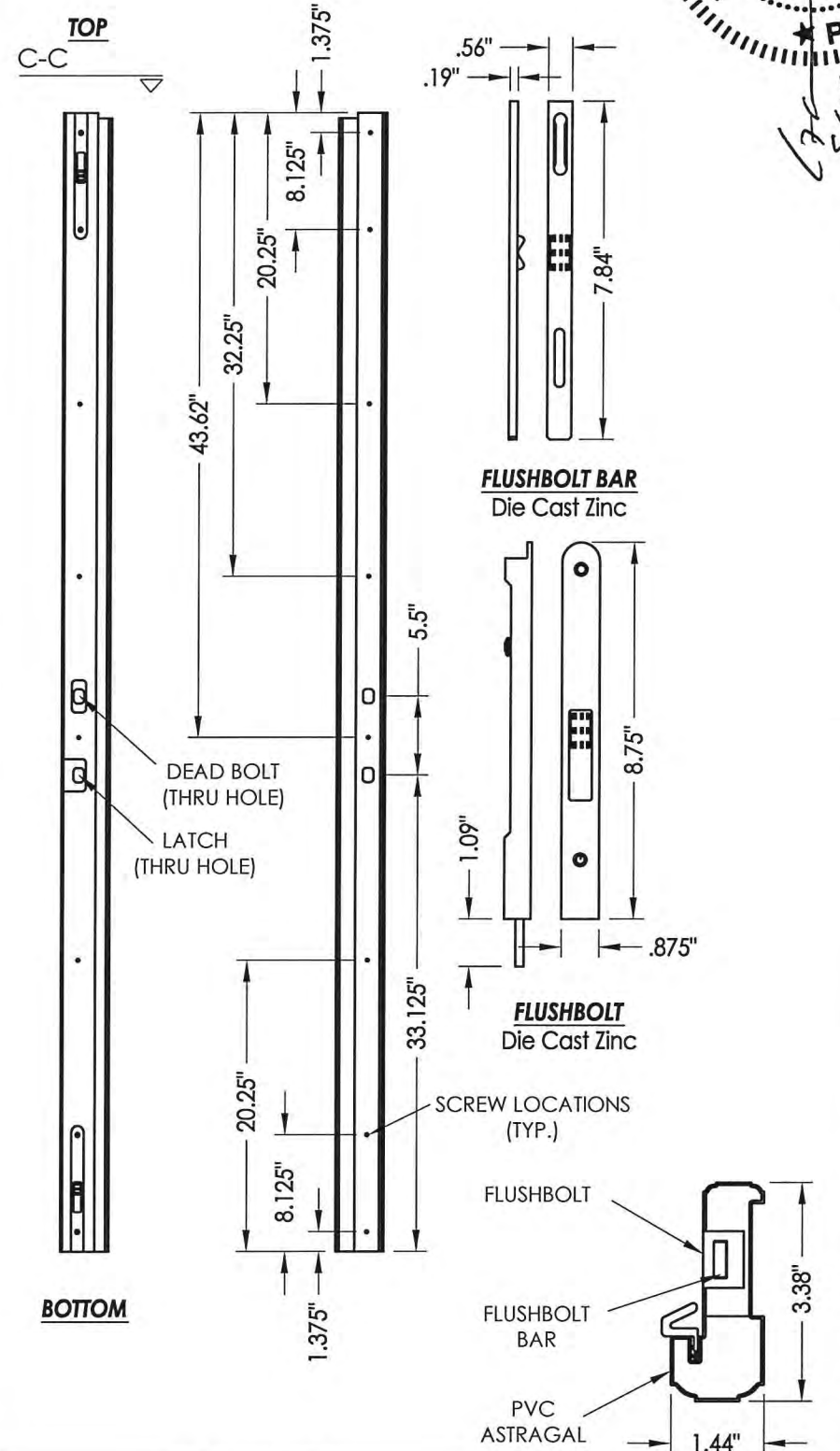
R:\Clients\Trinity PERMANENT\Florida Product Approvals\FL-15255\C - Drawings\FL-15255.1-4.dwg, 17.4



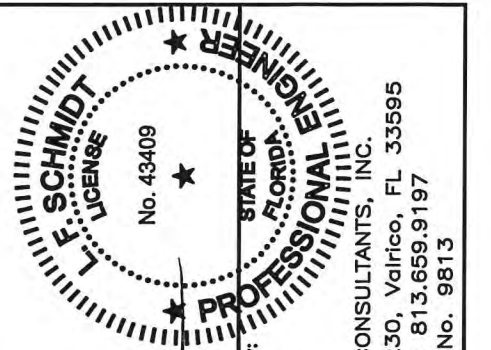
ENDURA ASTRAGAL
6'8 Aluminum Astragal by Endura Products



TRC ASTRAGAL
6'8 Aluminum Astragal by Trinity



PVC ASTRAGAL
6'8 PVC Astragal by Trinity

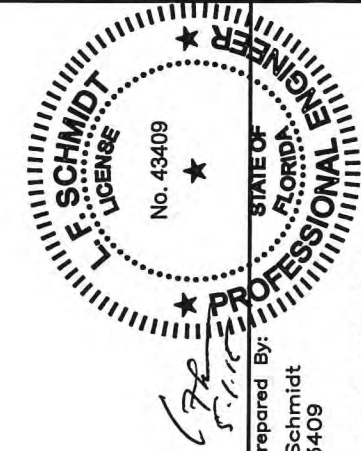


Documents Prepared By:
Lyndon F. Schmidt
P.E. No. 43409
LFS
5-1-15

RW BUILDING CONSULTANTS, INC.
P.O. Box 230, Valrico, FL 33595
Phone No.: 813.659.9197
FBPE C.A. No. 9813

PRODUCT:	TRINITY GLASS INT'L	
PART OR ASSEMBLY:	ASTRAGAL DETAILS	
DATE:	02/27/12	
SCALE:	N.T.S.	
DWG. BY:	JK	
CHK. BY:	LFS	
DRAWING NO.:	FL-15255.4	
SHEET	17 OF 18	
NO.	DATE	BY
1	03/02/15	JK
UPDATE TO 5TH ED. (2014) FBC		
REVISIONS		

BILL OF MATERIALS		
ITEM #	DESCRIPTION	MATERIAL
A	1X BUCK SG >= 0.55	WOOD
B	2X BUCK SG >= 0.55	WOOD
C	1/4" MAX. SHIM SPACE	-
D	1/4" X 2-3/4" PFH ELCO OR ITW CONCRETE SCREW	STEEL
E	MASONRY - 3,000 PSI MIN. CONCRETE CONFORMING TO ACI 301 OR HOLLOW BLOCK CONFORMING TO ASTM C90	CONCRETE
F	1/4" X 3-3/4" PFH ITW CONCRETE SCREW	STEEL
H	1/4" X 3-1/4" PFH ITW CONCRETE SCREW	STEEL
I	3/16" X 1-1/4" PFH ITW CONCRETE SCREW	STEEL
J	#9 X 2-1/4" PFH WS	STEEL
L	#8 X 2-1/2" PFH WS	STEEL
M	3/16" X 3-1/4" PFH ITW CONCRETE SCREW	STEEL
P	1/4" X 2-3/4" PFH ITW CONCRETE SCREW	STEEL
Q	3/16" X 2-3/4" PFH ITW CONCRETE SCREW	STEEL
1	JAMB (FINGER-JOINT PINE - SG >= 0.42)	WOOD
1A	STRIKE JAMB - FINGER-JOINT PINE (5-1/4") - SG >= 0.42	WOOD
2	JAMB	FIBERGLASS/COMP
3	JAMB	PVC
5	INSWING THRESHOLD ALUMINUM W/ COMPOSITE SUBSTRATE	ALUMINUM
6	DOOR BOTTOM SWEEP	PVC
8	#6 X 1-1/4" PFH DRYWALL SCREW	STEEL
12	WEATHER STRIP QEBD650 Q-LON	-
18	3.983" X 4.0" HINGE MIN 0.098" THICK	STEEL
19	SILLKEY	PC/ASA
22	DEADBOLT STRIKE PLATE	STEEL
23	STRIKE PLATE	STEEL
24	#9 X 5/8" PFH WS	STEEL
25	OUTSWING HIGH-DAM THRESHOLD ALUMINUM W/ COMPOSITE SUBSTRATE	ALUM./ COMP.
26	#9 X 1.0" PFH WS	STEEL
27	OUTSWING THRESHOLD ALUMINUM W/ COMPOSITE SUBSTRATE	ALUM./ COMP.
40	DOOR PANEL - SEE DOOR PANEL DETAIL SHEET FOR CONSTRUCTION DETAILS	-
53	#8 X 1-3/4" PFH SMS	STEEL
54	ASTRAGAL STRIKE @ HEAD	STEEL
56	ASTRAGAL STRIKE @ SILL	STEEL
60	SIDELITE PANEL - SEE SIDELITE PANEL DETAIL SHEET FOR CONSTRUCTION DETAILS	-
62	QUARTER ROUND	WOOD
63	#8 X 2-1/4" PFH WOOD SCREW	STEEL
64	#8 X 2" PFH WOOD SCREW	STEEL
65	#10 X 2" PFH WOOD SCREW	STEEL
66	SIDELITE SPACER	PVC
68	1X MULLION	WOOD



Documents Prepared By:
Lyndon F. Schmidt
P.E. No. 43409

R.W. BUILDING CONSULTANTS, INC.
P.O. Box 230, Valrico, FL 33595
Phone No.: 813.659.9197
FBPE C.A. No. 9813

PRODUCT: TRINITY GLASS INT'L
PART OR ASSEMBLY: BILL OF MATERIALS

NO.	DATE	BY	REVISIONS
1	03/02/15	JK	UPDATE TO 5TH ED. (2014) FBC

DATE: 2/27/12
SCALE: N.T.S.
DWG. BY: JK
CHK. BY: LFS
DRAWING NO.: FL-15255.4
SHEET 18 OF 18